

---

# **ComfoAir 550 Luxe**

---



---

## **Installer Manual**

---

All rights reserved.

This manual has been compiled with the utmost care. The publisher cannot be held liable for any damage caused as a result of missing or incorrect information in this manual. In case of disputes the Dutch version of these instructions will be binding.

# Table of Contents

<b>PREFACE</b> .....	<b>1</b>
<b>1 INTRODUCTION</b> .....	<b>1</b>
<b>1.1 Guarantee and liability</b> .....	<b>1</b>
1.1.1 Guarantee conditions .....	1
1.1.2 Liability.....	1
<b>1.2 Safety</b> .....	<b>2</b>
1.2.1 Safety regulations.....	2
1.2.2 Safety provisions and measures.....	2
1.2.3 Pictograms used.....	2
<b>2 FOR THE INSTALLER</b> .....	<b>3</b>
<b>2.1 ComfoAir configuration</b> .....	<b>3</b>
<b>2.2 Technical specifications</b> .....	<b>4</b>
<b>2.3 Dimension sketch</b> .....	<b>6</b>
<b>2.4 Installation conditions</b> .....	<b>7</b>
<b>2.5 Installation of the ComfoAir</b> .....	<b>7</b>
2.5.1 Transport and unpacking .....	7
2.5.2 Checking the delivery.....	7
<b>2.6 Mounting of the ComfoAir</b> .....	<b>7</b>
2.6.1 Mounting on the wall.....	7
2.6.2 Connection of the air ducts.....	8
2.6.3 Connection of the condensation drain .....	8
<b>2.7 Commissioning the ComfoAir</b> .....	<b>9</b>
2.7.1 P menus for the user .....	10
2.7.2 P menus for the installer .....	12
<b>2.8 Programming air specifications</b> .....	<b>17</b>
<b>2.9 Maintenance by the installer</b> .....	<b>18</b>
2.9.1 Inspecting and cleaning the heat exchanger .....	18
2.9.2 Inspecting and cleaning the fans.....	19
2.9.3 Inspecting and cleaning the preheater element filter .....	19
<b>2.10 Malfunctions</b> .....	<b>19</b>
2.10.1 Malfunction alerts on digital operating devices .....	20
2.10.2 3-position switches with malfunction indicator .....	20
2.10.3 What to do in the event of a malfunction / Trouble shooting .....	21
2.10.4 Malfunctions (or problems) without alarms .....	33
<b>2.11 Service parts</b> .....	<b>34</b>
<b>2.12 Wiring diagram: ComfoAir 550 Luxe – LEFT-HAND version</b> .....	<b>35</b>
<b>2.13 Wiring diagram: ComfoAir 550 Luxe – RIGHT-HAND version</b> .....	<b>36</b>
<b>2.14 EEC declaration of conformity</b> .....	<b>37</b>



## Preface



Carefully read this manual before use.

This manual provides all the information required for safe and optimal installation and maintenance of the ComfoAir 550 Luxe. It is also intended as a reference for servicing, so that this can be carried out in a responsible manner. The device is subject to continuous development and improvement. As a result, the ComfoAir 550 Luxe may slightly differ from the descriptions.

---

### NOTE

*This manual has been compiled with the utmost care. However, no rights can be derived from it. In addition, we at all times reserve the right to change the contents of this manual, without prior notice.*

---

## 1 Introduction

The device's name is ComfoAir 550 Luxe. In the following it will be referred to as ComfoAir.

The ComfoAir is a balanced ventilation system with heat recovery in order to create healthy, balanced and energy-efficient ventilation in houses. The ComfoAir has a CE marking on the identification plate. The identification plate can be found on top of the ComfoAir.

## 1.1 Warranty and liability

### 1.1.1 Guarantee conditions

The ComfoAir is covered by a manufacturer's warranty for a period of 24 months after fitting up to a maximum of 30 months after the date of manufacture. Warranty claims may only be submitted for material faults and/or construction faults arising during the warranty period. In the case of a warranty claim, the ComfoAir must not be dismantled without written permission from the manufacturer. Spare parts are only covered by guarantee, if they were supplied by the manufacturer and have been installed by an approved installer.

#### **The warranty becomes invalid if:**

- The guarantee period has elapsed;
- The device is used without filters;
- Parts are used that have not been supplied by the manufacturer;
- Non-authorised changes or modifications have been made to the unit.

### 1.1.2 Liability

The ComfoAir has been designed and manufactured for use in "balanced ventilation systems". Any other use is deemed unintended use and can lead to damage to the ComfoAir or personal injury, for which the manufacturer cannot be held liable.

The manufacturer is not liable for any damage originating from:

- Non-compliance with the safety, operating and maintenance instructions in this manual;
- The use of components not supplied or recommended by the manufacturer. Responsibility for the use of such components lies entirely with the installer;
- Normal wear and tear.

## 1.2 Safety

### 1.2.1 Safety regulations

Always comply with safety regulations in this manual. Non-compliance with the safety regulations, warnings, notes and instructions in this manual can cause personal injury or damage to the ComfoAir.

- The ComfoAir may only be installed, connected, rendered operational and maintained by an appropriately approved installer, unless otherwise indicated in this manual;
- Installation of the ComfoAir must be carried out in accordance with the general and locally applicable construction, safety and installation instructions of the local council, electricity and water boards or other agencies;
- Observe the safety regulations, warnings, comments and instructions as prescribed in this manual at all times;
- Keep this manual with the ComfoAir throughout its life;
- Instructions with regard to cleaning or replacing the filters of the intake and exhaust valves must be carefully observed;
- The specifications stated in this document may not be changed;
- Modifying the ComfoAir is not allowed;
- The ComfoAir is only suitable for connection to 230V 50Hz mains;
- It is recommended to take out a maintenance contract so that the device is checked on a regular basis. The supplier can provide a list of registered installers nearby.

### 1.2.2 Safety provisions and measures

- The ComfoAir cannot be opened without using tools;
- It should not be possible to touch the fans, therefore ducting must be connected to the ComfoAir at a minimum duct length of 900mm.

### 1.2.3 Pictograms used

The following pictograms are used in this manual:



***Point of attention.***



***Risk of:***

- ***damage to the device;***
- ***performance of the device is compromised if instructions are not observed carefully.***



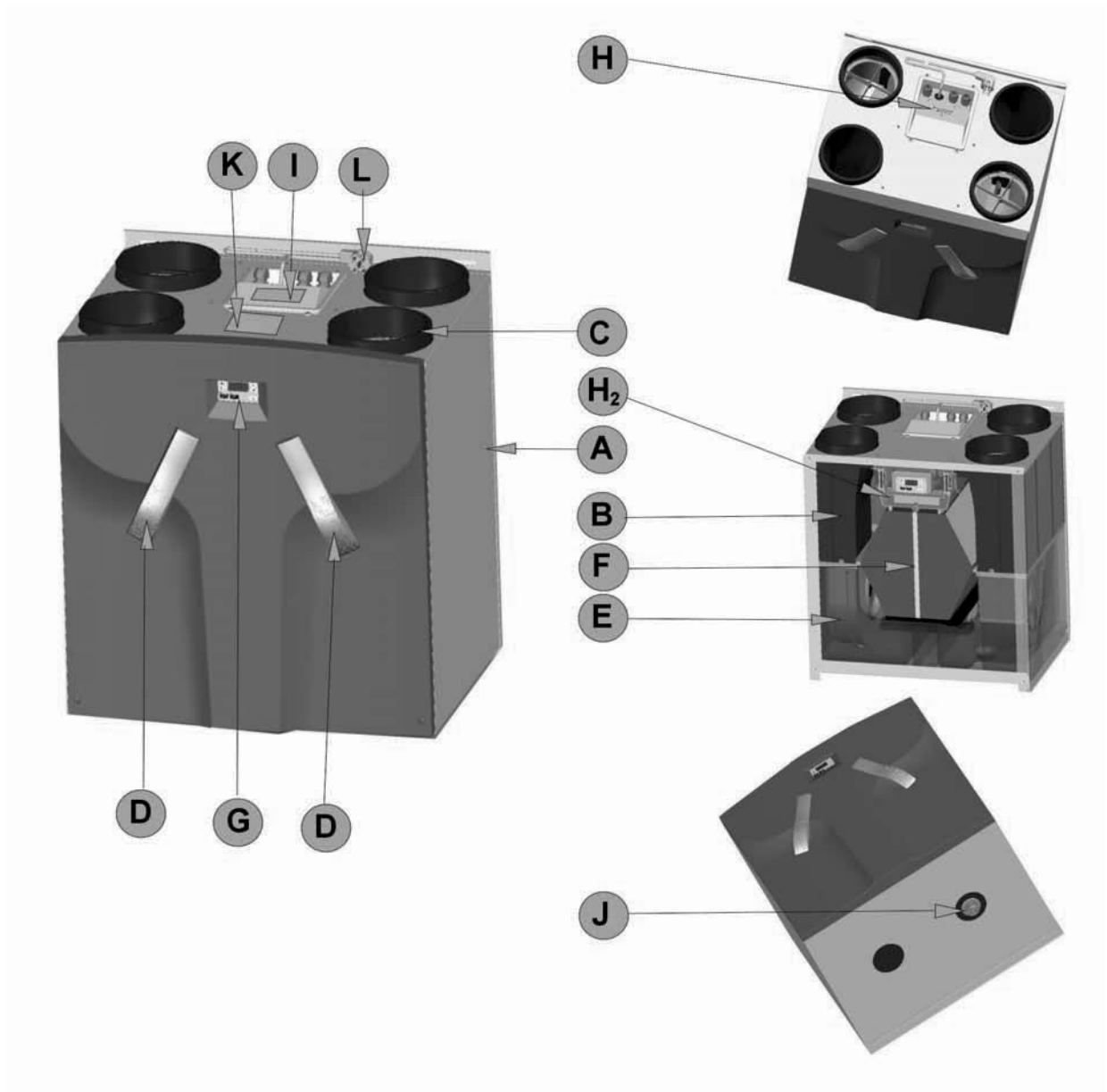
***Risk of personal injury to the user or installer.***

## 2 For the Installer

### 2.1 ComfoAir configuration

The standard ComfoAir configuration consists of:

- External casing (A) of coated sheeting;
- Interior (B) of high-quality, expanded polypropylene (E)PP;
- 4 connections (C) for the air ducts;
- 2 plate filters (D) for air purification. Filter classification: outside air G4, return air G4;
- 2 energy-efficient DC motors (E) with high-efficient fan;
- HE (High Efficient) heat exchanger (with optional moisture exchanger) (F);
- Display (G) to read data and for setting procedures;
- Electronics compartment (H) for connecting external switches and controllers;
- Removable PCB unit (H<sub>2</sub>);
- Identification plate (I) detailing information on the ComfoAir (not visible);
- Condensation drain connector (J);
- Sticker (K) detailing air connections;
- Cable for power supply with 230V ground connection plug (L).



## 2.2 Technical specifications

### ComfoAir 550 Luxe (nL setting)

Position	Ventilation capacity	Power
Absent Setting	50 m <sup>3</sup> /h at 5 Pa	13 W
Low Setting	150 m <sup>3</sup> /h at 50 Pa	30 W
Medium Setting	225 m <sup>3</sup> /h at 100 Pa	69 W
High Setting	330 m <sup>3</sup> /h at 215 Pa	160 W
Maximum	460 m <sup>3</sup> /h at 410 Pa	350 W
Position	Ventilation capacity	Current
Absent Setting	50 m <sup>3</sup> /h at 5 Pa	0.12 A
Low Setting	150 m <sup>3</sup> /h at 50 Pa	0.25 A
Medium Setting	225 m <sup>3</sup> /h at 100 Pa	0.57 A
High Setting	330 m <sup>3</sup> /h at 215 Pa	1.21 A
Maximum	460 m <sup>3</sup> /h at 410 Pa	2.46 A

Electricity	
Power supply	230/50 V/Hz
Cos.phi	0,46 - 0,62

### Supply fan noise level (at 0 m)

Position	Ventilation capacity	Sound power
Absent Setting	50 m <sup>3</sup> /h at 5 Pa	36 dB(A)
Low Setting	150 m <sup>3</sup> /h at 50 Pa	54 dB(A)
Medium Setting	225 m <sup>3</sup> /h at 100 Pa	63 dB(A)
High Setting	330 m <sup>3</sup> /h at 215 Pa	71 dB(A)
Maximum	460 m <sup>3</sup> /h at 410 Pa	79 dB(A)

### Exhaust fan noise level (at 0 m)

Position	Ventilation capacity	Sound power
Absent Setting	50 m <sup>3</sup> /h at 5 Pa	29 dB(A)
Low Setting	150 m <sup>3</sup> /h at 50 Pa	39 dB(A)
Medium Setting	225 m <sup>3</sup> /h at 100 Pa	49 dB(A)
High Setting	330 m <sup>3</sup> /h at 215 Pa	63 dB(A)
Maximum	460 m <sup>3</sup> /h at 410 Pa	63 dB(A)



**ComfoAir 550 Luxe (HL setting)**

<b>Position</b>	<b>Ventilation capacity</b>	<b>Power</b>
Absent Setting	50 m <sup>3</sup> /h at 5 Pa	13 W
Low Setting	180 m <sup>3</sup> /h at 60 Pa	41 W
Medium Setting	330 m <sup>3</sup> /h at 215 Pa	160 W
High Setting	430 m <sup>3</sup> /h at 360 Pa	310 W
Maximum	460 m <sup>3</sup> /h at 410 Pa	350 W
<b>Position</b>	<b>Ventilation capacity</b>	<b>Current</b>
Absent Setting	50 m <sup>3</sup> /h at 5 Pa	0.12 A
Low Setting	180 m <sup>3</sup> /h at 60 Pa	0.35 A
Medium Setting	330 m <sup>3</sup> /h at 215 Pa	1.21 A
High Setting	430 m <sup>3</sup> /h at 360 Pa	2.22 A
Maximum	460 m <sup>3</sup> /h at 410 Pa	2.46 A

**Electricity**

Power supply	230/50 V/Hz
Cos.phi	0,46 - 0,62

**Supply fan noise level (at 0 m)**

<b>Position</b>	<b>Ventilation capacity</b>	<b>Sound power</b>
Absent Setting	50 m <sup>3</sup> /h at 5 Pa	36 dB(A)
Low Setting	180 m <sup>3</sup> /h at 60 Pa	58 dB(A)
Medium Setting	330 m <sup>3</sup> /h at 215 Pa	71 dB(A)
High Setting	430 m <sup>3</sup> /h at 360 Pa	78 dB(A)
Maximum	460 m <sup>3</sup> /h at 410 Pa	79 dB(A)

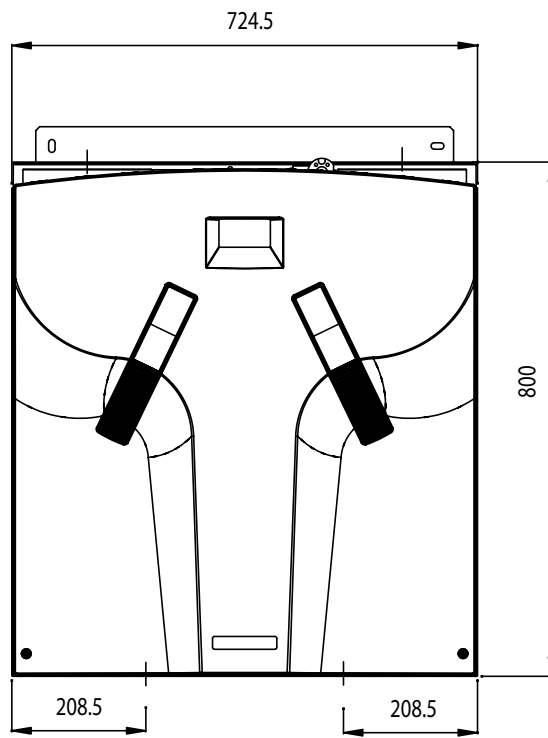
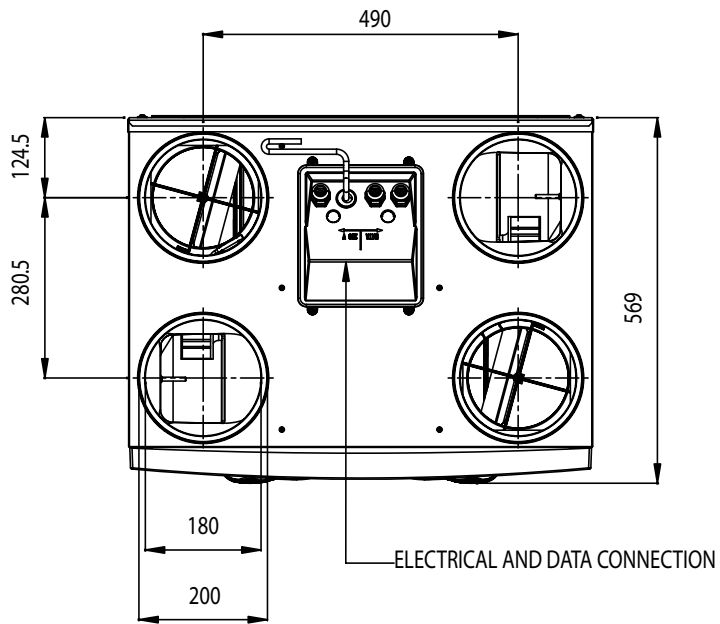
**Exhaust fan noise level (at 0 m)**

<b>Position</b>	<b>Ventilation capacity</b>	<b>Sound power</b>
Absent Setting	50 m <sup>3</sup> /h at 5 Pa	29 dB(A)
Low Setting	180 m <sup>3</sup> /h at 60 Pa	44 dB(A)
Medium Setting	330 m <sup>3</sup> /h at 215 Pa	55 dB(A)
High Setting	430 m <sup>3</sup> /h at 360 Pa	63 dB(A)
Maximum	460 m <sup>3</sup> /h at 410 Pa	63 dB(A)

**General Specifications**

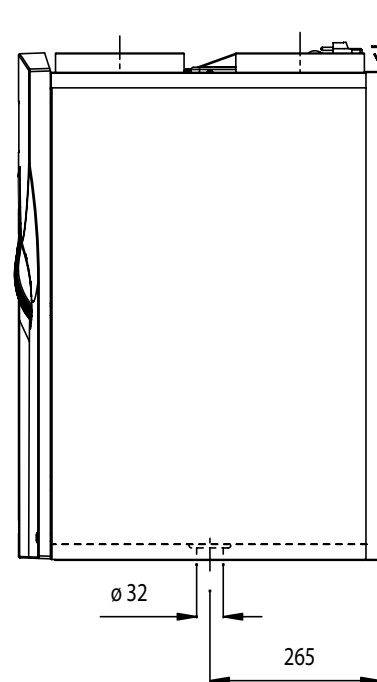
HE Exchanger Material	Polystyrene
Interior Material	(E)PP / PA / PA
Thermal Yield	95%
Mass	47 kg

## 2.3 Dimension sketch



CONDENSATION DRAIN  
RIGHT-HAND VERSION

CONDENSATION DRAIN  
LEFT-HAND VERSION



## 2.4 Installation conditions

In order to determine whether the ComfoAir can be installed in a certain area, the following aspects must be taken into account:

- The ComfoAir must be installed according to the general and locally applicable safety and installation regulations of power and water companies, as well as the instructions in this manual.
- The system must be fitted to allow sufficient room around the ComfoAir for the air connections and supply and exhaust ducts as well as for carrying out maintenance activities.
- The ComfoAir must be installed in a frost-free space. The condensation must be drained off frost-free, at a gradient and incorporate a 'U' bend.

**👉 We do not recommend installing the ComfoAir in areas with a higher average humidity (such as bathroom or toilet). This will prevent condensation on the outside of the ComfoAir.**

- The room must offer the following provisions:
  - Air duct connections.
  - 230V electrical connection.
  - Provisions for the condensation drain.
  - Wiring for an wired 3-position switch (optional).
- A gap should be left near the doors in order to ensure effective and draughtfree airflow in the house. A gap under the inside doors must be at least 10mm.

**⚠️ If these openings are obstructed, due to draught excluders or deep-pile carpet, the airflow in the house will stagnate. As a result, system performance will be compromised or fail altogether.**

## 2.5 Installation of the ComfoAir

### 2.5.1 Transport and unpacking

Take the necessary precautions when transporting and unpacking the ComfoAir.

**👉 Make sure the packing material is disposed of in an environmentally friendly manner.**

### 2.5.2 Checking the delivery

Contact your supplier immediately in case of damage or an incomplete delivery. The delivery must include:

- ComfoAir; Check the identification plate to ensure that it is the required type.
- Mounting bracket;
- Documentation.

The ComfoAir is supplied in the following types:

Type
ComfoAir 550 L Luxe
ComfoAir 550 R Luxe
ComfoAir 550 L Luxe ERV
ComfoAir 550 R Luxe ERV
ComfoAir 550 L Luxe VV
ComfoAir 550 R Luxe VV

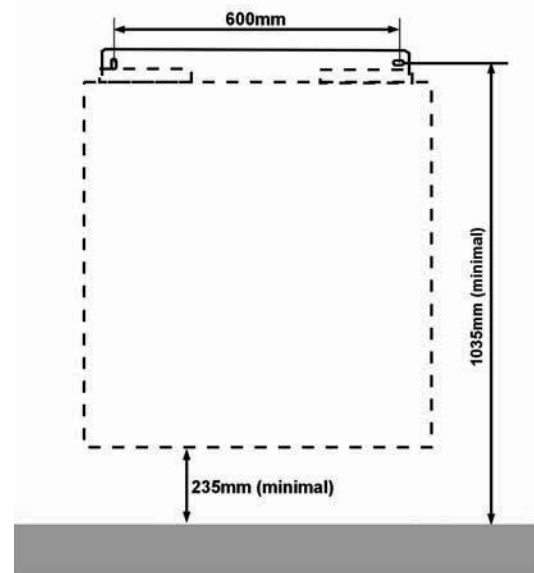
Meaning of the suffixes:

- \* L = Left version
- \* R = Right version
- \* VV = Contains a preheater element by default.
- \* ERV = Contains a enthalpy exchanger by default.
- \* Luxe = Contains a connection board with extra function by default.

ComfoSense panel or CC Luxe panel (optional) can be ordered separately.

## 2.6 Mounting of the ComfoAir

### 2.6.1 Mounting on the wall



Mount the ComfoAir against a wall with a minimum mass of 200 kg/m<sup>2</sup>. For other types of wall, we recommend using the Zehnder mounting frame on the floor (available as an optional extra). This reduces contact noise as much as possible. The ComfoAir does not require any space at the sides for effective operation.

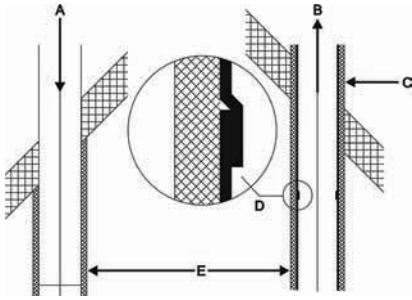
**👉 Do not mount the side of the ComfoAir against the wall due to the risk of impact sound.**

1. Fasten the mounting bracket to the wall. Make sure it is level and at least 1035 mm from the floor (depending on the type of condensation drain selected).

**⚠️ Leave a minimum space of 1m in front of the ComfoAir for carrying out maintenance.**

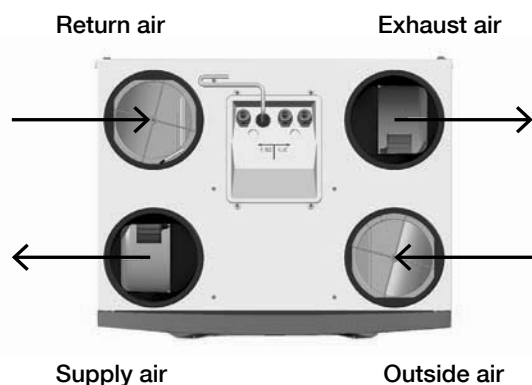
2. Hang the ComfoAir on the mounting bracket.
3. Mount the condensation drain under the ComfoAir. The stated dimension of 235 mm is an indication only, and is dependent on the type of condensation drain selected.

## 2.6.2 Connection of the air ducts

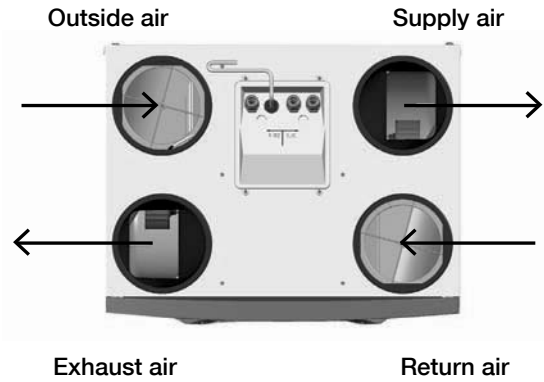


The following aspects must be taken into account, while installing the air ducts:

- Install the air exhaust duct so it drains in the direction of the ComfoAir.
- Insulate the outside air supply and the air exhaust duct between the roof/wall passage to render the ComfoAir damp proof. This prevents the formation of condensation on the outside of the ducts.
- To prevent unnecessary temperature loss in either the summer or the winter, we recommend fitting thermal and damp-proof insulation to the supply ducts from the ComfoAir up to the supply valves.
- Install the air ducts with a minimum  $\varnothing$  of 180 mm, as little air resistance as possible and free from air leakage.
- Install a silencer of at least 1m straight directly onto the supply and return airconnections. For relevant advice, please contact Zehnder.
- When using flexible channels only Zehnder channel systems may be used. Any other flexible channel will disturb the basic operating principle of the balanced ventilation system.
- We recommend that the ventilation system is fitted with intake and exhaust valves made by Zehnder.
- We recommend that the ventilation system is fitted with a non-powered extractor hood made by Zehnder.

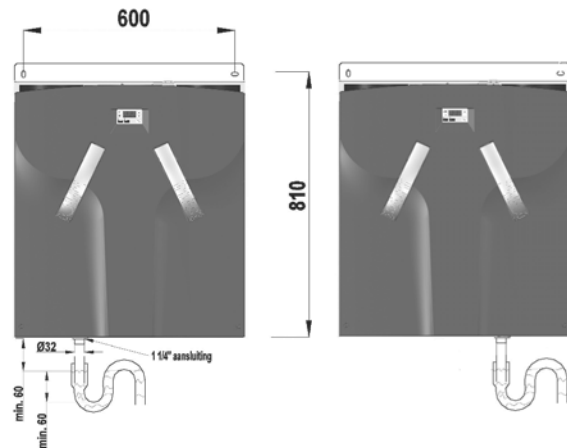


ComfoAir - Left



ComfoAir - Right

## 2.6.3 Connection of the condensation drain



ComfoAir - Right

ComfoAir - Left

### Standard heat exchanger

Warm exhaust air is cooled by the outside air in the heat exchanger. This causes the moisture in the indoor air to condense in the heat exchanger. The condensation water created in the heat exchanger is fed to a PVC condensation drain.

The connection for the condensation drain has an external diameter of 32 mm. It is located underneath the ComfoAir.

- Connect the condensation drain, via a pipe or hose, to the water seal (siphon) of the domestic waste-water system.
- Position the upper edge of the water seal at least 40 mm underneath the condensation drain of the ComfoAir.
- Make sure that the outer end of the pipe or tube exits is at least 60mm below the water level.




**Ensure that the water seal connected to the domestic waste-water system is always full of water. This prevents the ComfoAir from sucking in any leakage air.**

### Enthalpy exchanger

When the ComfoAir is fitted with an enthalpy exchanger the humidity from the extracted air is partly transferred to the fresh supply air. In this case you delay the process of drying out the house in dry winter months, additionally there is no condensate that must be drained from the ComfoAir.

Therefore a condensation drain is not necessary with an enthalpy exchanger.

 **Ensure that the condensation drain is sealed. This prevents the ComfoAir from sucking in any leakage air.**

The condensation drain can be sealed with a standard screw-cap.


## 2.7 Commissioning the ComfoAir

After installation, the ComfoAir must be commissioned.

This can be done via the P menus on the digital operating device. These P menus can be used to enter various settings (ventilation programmes, in particular) for the ComfoAir. An overview of the available P menus is given below:

Menu	Options
P1	Reading statuses (from menu P2)
P2	Setting time delays
P3	Setting and reading the ventilation levels
P4	Setting and reading the temperatures
P5	Setting additional programmes
P6	Setting additional programmes
P7	Reading and resetting malfunctions (and system information)
P8	Setting the RF input and analogue inputs (0-10V)
P9	Reading statuses (from menu P5 and P6)

P menus P1, P2 and P9 can be accessed by the user, mainly to read statuses and set time delays. The remaining P menus P3 to P8 are intended **solely** for the installer.

 **The ComfoAir's bypass valve will not work for the first 4 minutes after a power cut unless the programme mode is activated.**

## 2.7.1 P menus for the user

### Menu P1 → Status of programmes

Sub-menu	Description	Status
		Activated
P10	Is menu 20 currently active?	Yes (1) / No (0)
P11	Is menu 21 currently active?	Yes (1) / No (0)
P12	Is menu 22 currently active?	Yes (1) / No (0)
P13	Is menu 23 currently active?	Yes (1) / No (0)
P14	Is menu 24 currently active?	Yes (1) / No (0)
P15	Is menu 25 currently active?	Yes (1) / No (0)
P16	Is menu 26 currently active?	Yes (1) / No (0)
P19	Is menu 29 currently active?	Yes (1) / No (0)

### Menu P2 → Setting time delays

Sub-menu	Description	Time delay values		
		Minimum	Maximum	General Reset
P20 (Optional)	<p>Overrun timer for the extractor hood programme.</p> <ul style="list-style-type: none"> <li>'x' minutes after operating the extractor hood switch the ComfoAir reverts back to the NORMAL SETTING.</li> </ul>	0 Min.	180 Min.	0 Min.
P21 (Optional)	<p>Delay timer for the bathroom switch (to switch to high position).</p> <ul style="list-style-type: none"> <li>'x' minutes after operating the bathroom switch, the ComfoAir switches to the HIGH SETTING.</li> </ul> <p>- Low voltage input</p> <p><b>Note:</b> Only applies to systems fitted with a corded switch and a second switch in the bathroom.</p>	0 Min.	15 Min.	0 Min.
P22 (Optional)	<p>Overrun timer for the bathroom switch (to switch to normal position).</p> <ul style="list-style-type: none"> <li>'x' minutes after operating the bathroom switch, the ComfoAir switches back to the NORMAL SETTING.</li> </ul> <p>- Low voltage input</p> <p><b>Note:</b> Only applies to systems fitted with a corded switch and a second switch in the bathroom.</p>	0 Min.	120 Min.	30 Min.
P23 (Optional)	<p>Overrun timer for ventilation position 3 (using a wired 3-position switch).</p> <ul style="list-style-type: none"> <li>If ventilation setting 3 (high) is switched on briefly (&lt; 3 sec), the ComfoAir will switch to the HIGH SETTING for 'x' minutes and then automatically returns to the NORMAL SETTING.</li> </ul> <p>If any 3-position switch is operated during this lagging time the ComfoAir will instantly revert to the ventilation position as set at that time.</p> <p><b>Note:</b> Only applies to systems fitted with a hardwired 3-position switch.</p>	0 Min.	120 Min.	0 Min.
P24	<p>Filter warning</p> <ul style="list-style-type: none"> <li>'x' weeks after cleaning the filters the "FILTER DIRTY" alert will reappear.</li> </ul>	10 weeks	26 weeks	16 weeks

Sub-menu	Description	Time delay values		
		Minimum	Maximum	General Reset
P25  <b>Note:</b> Only applies to systems fitted with an RF switch.	<p>Overrun timer for ventilation setting 3 (using "☺").</p> <ul style="list-style-type: none"> <li>After pressing "☺" briefly (&lt; 2 sec.), the ComfoAir will switch to the HIGH setting for 'x' minutes and then automatically returns to the NORMAL setting.</li> </ul> <p>If any 3-position switch is operated during this lagging time the ComfoAir will instantly revert to the ventilation position as set at that time.</p>	1 Min.	20 Min.	10 Min.
P26  <b>Note:</b> Only applies to systems fitted with an RF switch.	<p>Overrun timer for ventilation setting 3 " using "☺".</p> <ul style="list-style-type: none"> <li>After pressing "☺" CONTINUOUSLY (&gt; 2 sec.), the ComfoAir will switch to the HIGH setting for 'x' minutes and then automatically returns to the NORMAL setting.</li> </ul> <p>If any 3-position switch is operated during this lagging time the ComfoAir will instantly revert to the ventilation position as set at that time.</p>	1 Min.	120 Min.	30 Min.
P27  <b>Note:</b> Only applies to systems fitted with a ComfoSense panel or CC Luxe panel.	<p>Time for the Boost setting.</p> <ul style="list-style-type: none"> <li>After pressing "[ 3 ]" on the CC Luxe panel or after turning on the PARTY TIMER on the ComfoSense panel, the ComfoAir will switch to the high setting for 'x' minutes and then automatically returns tot the NORMAL setting</li> </ul> <p>If any 3-position switch is operated during this lagging time the ComfoAir will instantly revert to the ventilation position as set at that time.</p>	0 Min.	120 Min.	30 Min.
P29 (Optional)	<p>Setting the extractor hood ventilation levels.</p> <ul style="list-style-type: none"> <li>When the extractor hood is switched on the extractor hood ventilation settings can be set x-% higher than the corresponding 'normal' ventilation levels.</li> </ul>	1%	99%	10%

**Menu P9 → Status of programmes (from menu P5 and P6 additional programmes)**

Sub-menu	Description	Status
		Activated
P90	Open fire programme active?	Yes (1) / No (0)
P91	Bypass Open?	Yes (1) / No (0)
P92	Geothermal heat exchanger valve Open?	Yes (1) / No (0)
P93	Afterheater on?	Yes (1) / No (0)
P94	Analogue input (0-10V) active?	Yes (1) / No (0)
P95	Frost protection or Preheater active?	Yes (1) / No (0)
P96	Extractor hood on?	Yes (1) / No (0)
P97	Enthalpy programme active?	Yes (1) / No (0)

## 2.7.2 P menus for the installer

 *Menus with a line at minimum and maximum value are Reading menus.*

### **Menu P3 → Setting ventilation programmes**








Submenu	Description	Ventilation programme values		
		Minimum	Maximum	General Reset
P30	Setting the capacity (in %) of the exhaust fan in ABSENT POSITION.	0% or 15%	97%	nL / HL 15% / 15%
P31	Setting the capacity (in %) of the exhaust fan in LOW POSITION.	16%	98%	nL / HL 35% / 40%
P32	Setting the capacity (in %) of the exhaust fan in MEDIUM POSITION.	17%	99%	nL / HL 50% / 70%
P33	Setting the capacity (in %) of the exhaust fan to HIGH POSITION.	18%	100%	nL / HL 70% / 90%
P34	Setting the capacity (in %) of the supply fan to ABSENT POSITION.	0% or 15%	97%	nL / HL 15% / 15%
P35	Setting the capacity (in %) of the supply fan in LOW POSITION.	16%	98%	nL / HL 35% / 40%
P36	Setting the capacity (in %) of the supply fan in MEDIUM POSITION.	17%	99%	nL / HL 50% / 70%
P37	Setting the capacity (in %) of the supply fan in HIGH POSITION.	18%	100%	nL / HL 70% / 90%
P38	Current capacity (in %) of the exhaust fan.	-	-	Current %
P39	Current capacity (in %) of the supply fan.	-	-	Current %



### **Menu P4 → Reading the temperatures**

Submenu	Description	Temperature values		
		Minimum	Maximum	General Reset
P40	Current value of Tah (= afterheater temperature)	-	-	Current °C
P41	Comfort temperature	12 °C	28 °C	20 °C
P44	Current value of Tch (= extractor hood temperature)	-	-	Current °C
P45	Current value of T1 (= outside air temperature)	-	-	Current °C
P46	Current value of T2 (= supply air temperature)	-	-	Current °C
P47	Current value of T3 (= return air temperature)	-	-	Current °C
P48	Current value of T4 (= exhaust air temperature)	-	-	Current °C
P49	Current value T <sub>GE</sub> (= outside air temperature for the geothermal heat exchanger)	-	-	Current °C









## Menu P5 → Setting additional programmes




Submenu	Description	Additional programme values		
		Minimum	Maximum	General Reset
P50	Activation of the open fire programme.	0 (= No)	1 (= Yes)	0
P51	Confirming the presence of a Preheater element	0 (= No)	1 (= Yes)	0
	 Only change if a preheater element is installed afterwards or a general reset is given.			
P52	Setting the Preheater programme. <ul style="list-style-type: none"> <li>• 0; Guaranteed protection.</li> <li>• 1; High protection.</li> <li>• 2; Nominal protection.</li> <li>• 3; Economy.</li> </ul>	0	3	2
	 In <b>GUARANTEED PROTECTION MODE</b> the Preheater element is switched on soonest; this level offers the best guarantee of balanced ventilation. Vice versa, in <b>ECONOMY MODE</b> the Preheater element switches on at the last possible moment; balanced ventilation is not guaranteed in this mode.  When commissioning the ComfoAir, the Preheater programme can usually be left at level 2: <b>NOMINAL MODE</b> (factory setting). In areas with frequent cold spells in winter (frequent periods of -10°C or lower), level 1 should be selected: <b>HIGH PROTECTION</b> or even level 0: <b>GUARANTEED PROTECTION</b> .			
P53	Confirming an electrical connection with an extractor hood.	0 (= No)	1 (= Yes)	0
	 If an extractor hood is electrically connected to the ventilation system, the user can set the extractor hood ventilation levels via P29.			
P54	Confirming the presence of a bypass.	0 (= No)	1 (= Yes)	1
	 The standard ComfoAir configuration includes a bypass. Therefore, leave the value at '1'.			
P55	Confirming the presence of a Afterheater. <ul style="list-style-type: none"> <li>• 0; Afterheater not fitted</li> <li>• 1; Afterheater fitted</li> <li>• 2; Afterheater is fitted and is regulated by a Pulse Width Modulation (PWM) signal.</li> </ul>	0 (= No)	2 (= PWM)	0
P56	Setting the required air volume in the house. <ul style="list-style-type: none"> <li>• nL: "normal air volume".</li> <li>• HL: "high air volume".</li> </ul>	nL	HL	HL
	 Setting the air volume is the starting point for programming the air specifications and setting the fans.			
P57	Setting the ComfoAir type. <ul style="list-style-type: none"> <li>• Li = "Left-hand version".</li> <li>• Re = "Right-hand version".</li> </ul>	Li	Re	Li
	 With delivery the ComfoAir is correctly pre-programmed at the factory.   <b>After an general reset the pre-programming is lost and the setting must be reset.</b>  The right setting is mentioned on the identification plate on top of the ComfoAir.			
P58	Enter controller priorities. <ul style="list-style-type: none"> <li>• 0; The highest air setting is leading <b>INCLUDING</b> the signals from the analogue inputs</li> <li>• 1; The highest air setting is leading <b>EXCLUDING</b> the signals from the analogue inputs</li> </ul>	0	1	0

Submenu	Description	Additional programme values		
		Minimum	Maximum	General Reset
P59	Confirming the presence of an enthalpy exchanger. <ul style="list-style-type: none"> <li>• 0; Enthalpy exchanger not fitted</li> <li>• 1; Enthalpy exchanger with RH sensor.</li> <li>• 2; Enthalpy exchanger without RH sensor.</li> </ul>	0 (= No)	2 (= Yes)	0
	 Ensure the condensation drain is sealed.			
	 If an enthalpy exchanger without a sensor is selected, then the safety programme will not be activated and malfunction alerts EA1 & EA2 will never occur.			

### Menu P6 → Setting additional programmes

Submenu	Description	Additional programme values		
		Minimum	Maximum	General Reset
P60	Confirming the presence of a geothermal heat exchanger. <ul style="list-style-type: none"> <li>• 0; Geothermal heat exchanger not fitted</li> <li>• 1; Geothermal heat exchanger fitted</li> <li>• 3; Geothermal heat exchanger unregulated.</li> </ul>	0 (= No)	3 (= Yes)	0
	 If a valveless geothermal heat exchanger is fitted, then the unregulated setting must be selected so that the ComfoAir's bypass valve continues to function properly.			
P61	Setting the percentage by which the supply fan must increase its speed when the valve of the geothermal heat exchanger is opened.	0%	99%	0%
P62	Tge (Temperature sensor geothermal heat exchanger), low	0 °C	15 °C	7 °C
	 <p>The valve of the geothermal heat exchanger will open if the temperature is below the set temperature. The valve of the geothermal heat exchanger will close if the temperature is above the set temperature.</p>  The valve of the geothermal heat exchanger will only respond if the ComfoAir is in Winter-mode.			
P63	Tge (Temperature sensor geothermal heat exchanger), high	10 °C	25 °C	23 °C
	 <p>The valve of the geothermal heat exchanger will open if the temperature is above the set temperature. The valve of the geothermal heat exchanger will close if the temperature is below the set temperature.</p>  The valve of the geothermal heat exchanger will only respond if the ComfoAir is in Summermode.			
P64	Tah (Temperature sensor afterheater), desired	5 °C	40 °C	18 °C
	 <p>The afterheater will switch off when the desired temperature is reached</p>			

## Menu P7 → Reading malfunctions (and system information)

Submenu	Description	(Malfunction) information values		
		Minimum	Maximum	General Reset
P70	Current software version.	Version number of the software (without “v”)		
P71	Most recent malfunction.	Code in accordance with alarm and malfunction alert		
P72	Malfunction before the most recent one	Code in accordance with alarm and malfunction alert		
P73	Malfunction before the most recent two	Code in accordance with alarm and malfunction alert		
P74	Ressetting malfunction(s) • Set value to '1' and press "OK" on the ComfoSense panel.	0	1 (= activate)	0
P75	General reset. • Set value to '1' and press “OK” on the ComfoSense panel to carry out a general reset. All original software settings are re-stored following a general reset.	0	1 (= activate)	0
<b>Note:</b>  <i>After a general reset, the ComfoAir will ask you to reset the “nL / HL” (see P56) and “Li / Re” (see P57) settings.</i>  <i>Following a general reset, all settings and programmes need to be checked and set to the right value.</i>				
P76	Self-testing the ComfoAir	0	1 (= activate)	0
 <ul style="list-style-type: none"> <li>• The ComfoAir will run at maximum Rotation Per Minute (RPM).</li> <li>• The bypass valve will open and close.</li> <li>• The preheater valve will open and close after the bypass has closed (If a preheater element is fitted).</li> </ul>				
P77	Resetting filter dirty counter	0	1 (= activate)	0
<b>Note:</b> This resets the counter that triggers a dirty filter alert on the ComfoAir. This allows the filter to be cleaned or replaced before the dirty filter alert appears.				

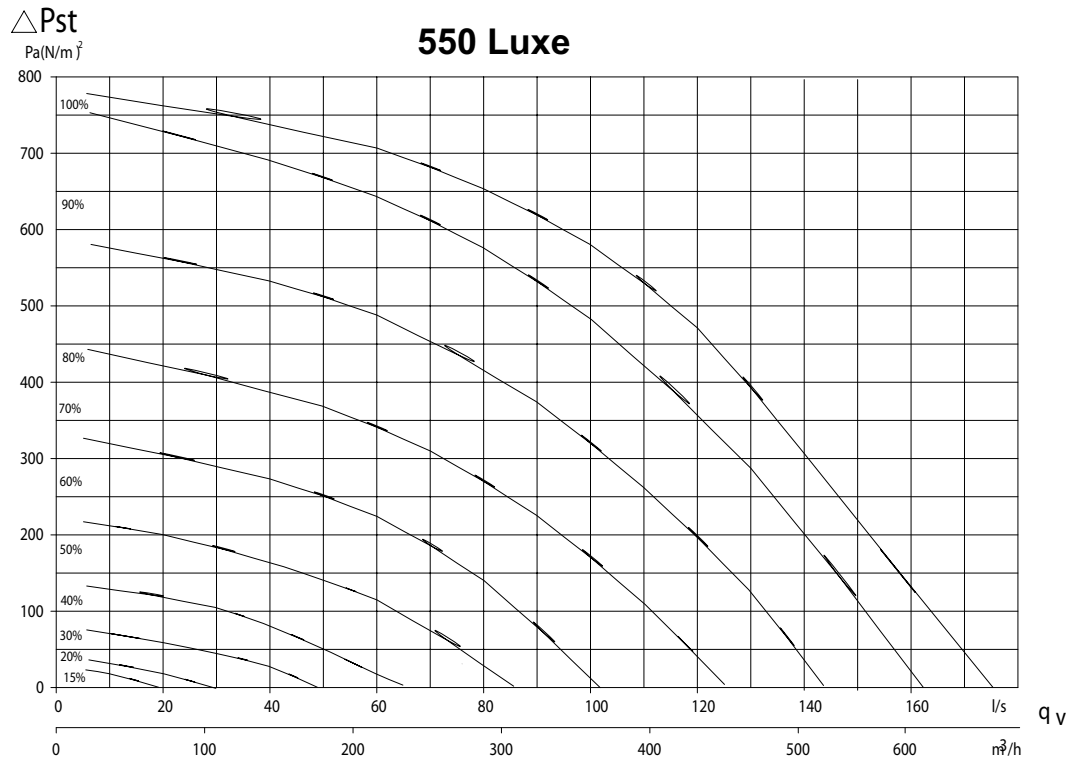
## Menu P8 → Setting the RF input and digital inputs (0-10V)

Submenu	Description	Analogue input values		
		Minimum	Maximum	General Reset
810	Analogue input 1 0= not fitted 1= fitted	0	1	0
811	0= controlling 1= programming (analogue input 1)	0	1	0
812	set point analogue input 1 (programming)	0	100	50
813	min. setting analogue input 1	0	99	0
814	max. setting analogue input 1	0	100	100
815	0=positive analogue input 1 1=negative setting analogue input 1	0	1	0
816	read-out analogue input 1	0	100	-
820	Analogue input 2 0= not fitted 1= fitted	0	1	0
821	0= controlling 1= programming (analogue input 2)	0	1	0
822	set point analogue input 2 (programming)	0	100	50

Submenu	Description	Analogue input values		
		Minimum	Maximum	General Reset
823	min. setting analogue input 2	0	99	0
824	max. setting analogue input 2	0	100	100
825	0=positive analogue input 2 1=negative setting analogue input 2	0	1	0
826	read-out analogue input 2	0	100	-
830	Analogue input 3 0= not fitted 1= fitted	0	1	0
831	0= controlling 1= programming (analogue input 3)	0	1	0
832	set point analogue input 3 (programming)	0	100	50
833	min. setting analogue input 3	0	99	0
834	max. setting analogue input 3	0	100	100
835	0=positive analogue input 3 1=negative setting analogue input 3	0	1	0
836	read-out analogue input 3	0	100	-
840	Analogue input 4 0= not fitted 1= fitted	0	1	0
841	0= controlling 1= programming (analogue input 4)	0	1	0
842	set point analogue input 4 (programming)	0	100	50
843	min. setting analogue input 4	0	99	0
844	max. setting analogue input 4	0	100	100
845	0=positive analogue input 4 1=negative setting analogue input 4	0	1	0
846	read-out analogue input 4	0	100	-
850	RF input 1 0= not fitted 1= fitted	0	1	0
851	0= controlling 1= programming (RF input 1)	0	1	0
852	set point RF input 1 (programming)	0	100	50
853	min. setting RF input 1	0	99	0
854	max. setting RF input 1	0	100	100
855	0=positive RF input 1 1=negative setting RF input 1	0	1	0
856	Read-out RF input	0	100	-

## 2.8 Programming air specifications

After installation, the ComfoAir must be programmed.



This can be done using the air specifications of the ComfoAir above.

The default settings of the ComfoAir nL are:

Position ABSENT	15%
Position LOW	35%
Position MEDIUM	50%
Position HIGH	70%

The default settings of the ComfoAir HL are:

Position ABSENT	15%
Position LOW	40%
Position MEDIUM	70%
Position HIGH	90%

Follow this procedure to programme the ComfoAir (after installation):

1. Set the ComfoAir in programming mode.
  - ComfoSense panel:
    - a. Press OK. The display shows SHIFT for 8 seconds.
    - b. Press MENU before the SHIFT text disappears. The display now shows COMF.
    - c. Press  $\triangle$  or  $\nabla$  to select INIT.
    - d. Press OK. The display flashes the text INIT ON.
    - e. Confirm with OK. The display shows OK for 2 seconds.

The text INIT is visible in the main menu.

**In programming mode, the bypass and Pre-heater element valves are always closed. After 30 minutes, the ComfoAir automatically terminates the programming mode.**

2. Close all windows and outside doors.
3. Close all inside doors.
4. Check the presence of structural overflow provisions.

**The structural overflow provisions must be at least 12 cm<sup>2</sup> per l/s.**

5. Check if both fans function in the three speed settings.
6. Switch the ComfoAir to high speed.
7. Install all valves and set the valves according to the settings given or as set in the reference house.



If no data are known:

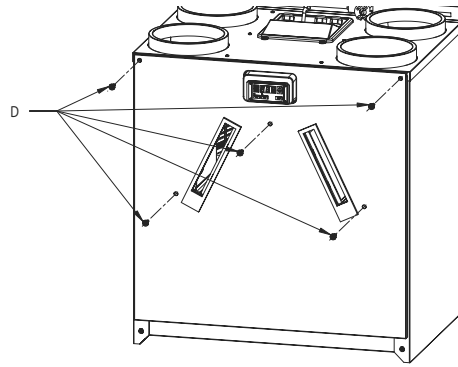
- Install the valves and open them as far as possible.
  - Measure the air volumes; starting with the intake air and then the exhaust air.
  - If the measured air volumes deviate from the nominal air volumes by more than +/- 10%, and the majority of the deviations is positive, ensure that all deviations are positive. If the majority of all deviations is negative, ensure that all deviations are negative. Ensure that one supply valve and one exhaust continue to be fully open.
8. Change the fan settings in P menus P30 to P37 of the digital operating device.
    - Select the lowest possible setting in order to conserve energy.
    - Ensure that the ratios between low, medium and high remain equal.

**Use the chart of the ComfoAir's air specifications to set the fans.**

9. In the event that the currently set air volumes

still deviate too much: Adjust the valves.

10. Check the entire installation again, after all valves have been set.
11. Switch the ComfoAir (back) to ventilation position 2.
  - ComfoSense panel:
    - a. Press OK. The display shows SHIFT for 8 seconds.
    - b. Press MENU before the SHIFT text disappears. The display now shows COMF.
    - c. Press  or  to select INIT.
    - d. Press OK. The display flashes the text INIT OFF.
    - e. Confirm with OK. The display shows OK for 2 seconds.




## 2.9 Maintenance by the installer

The following maintenance must be carry out by the installer:

- Inspecting and (if necessary) cleaning the heat exchanger;
- Inspecting and (if necessary) cleaning the fans;
- Inspecting and (if necessary) cleaning the pre-heater element filter (If a preheater element is fitted).

A concise explanation of these maintenance activities is given in the paragraphs below.

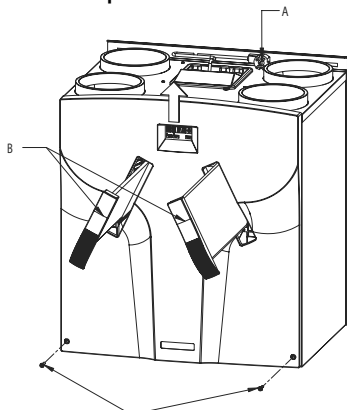
 **Check the condensation drain once every 2 years.**

 **Failure to carry out (periodic) maintenance on the ComfoAir ultimately compromises the performance of the ventilation system.**


### 2.9.1 Inspecting and cleaning the heat exchanger

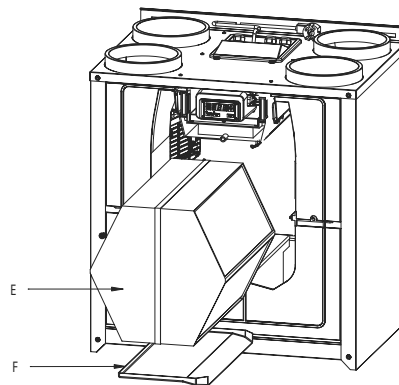
 **Check the heat exchanger once every 2 years.**

1. Disconnect the power (A) from the ComfoAir.
2. Remove the handles (B) from the ComfoAir;
3. Remove the filters from the ComfoAir.
4. Release the front panel by unscrewing the screws (C).
5. Slide the front panel upwards and remove the front panel from the ComfoAir.





6. Release the cover panel by unscrewing the screws (D).
7. Remove the cover panel.

 **When reassembling the front cover, the lower section must first be inserted behind the raised edge to ensure a good seal.**




8. Pull the strap (E) to remove the heat exchanger and the leakage tray (F).
9. Remove the heat exchanger from the leakage tray (F).

 **Install the leakage tray correctly underneath the heat exchanger. The slanting side of the leakage tray must be on the side of the condensation drain.**

 **During assembly of the heat exchanger, check the position of the four rubber seals.**

10. Inspecting and if necessary clean the heat exchanger.
  - Use a soft brush to clean the lamellae.
  - Use a vacuum cleaner or air gun (no high pressure) to remove dirt and dust.

 **Always clean against the direction of the air-flow. This prevent dirt from getting stuck in the heat exchanger.**

Only standard exchanger with a green cover and Enthalpy exchanger with a blue cover:

- a. Submerge the heat exchanger several times in hot water (max. 40 °C).
- b. Rinse the heat exchanger with clean hot tap water (max. 40 °C).
- c. Clasp the heat exchanger between both hands (on the coloured side surfaces) and shake the water from the heat exchanger.

**⚠** Only an enthalpy exchanger with a bleu cover can be washed with water. When having an Enthalpy exchanger with a white cover do never wash it with water.

**⚠** Do not use aggressive cleaning agents or solvents.

**👉** If the fans or preheater element filter also need maintenance do not re-install the heat exchanger yet.

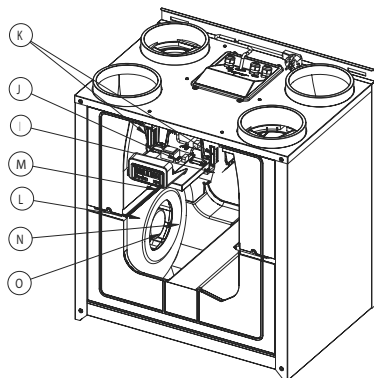
11. If no more maintenance is necessary install all parts in reverse order, reconnect the power and carry out the self-test in accordance with menu P76.

**⚠** Fasten the screws to a maximum of 1.5 Nm. This is roughly equal to setting 2 of an average battery-powered drill.

## 2.9.2 Inspecting and cleaning the fans

**👉** Check the fans once every 2 years.

1. Remove the heat exchanger as instructed in the maintenance chapter of the heat exchanger.
2. Remove the screw from the electronics carriage.
3. Pull the electronics carriage carefully forwards.
4. Release the connectors (J) and the earth wire on the control circuit board panel and fully remove the cables including the two grommets (K).
5. Remove the entire scroll casing (L) by pressing the click fasteners (M).
6. Remove the inflow nozzle (N) by pressing the click fasteners surrounding the scroll casing.
7. Inspecting and if necessary clean the fans (O).
  - Use a soft brush to clean the fan impellers.
  - Use a vacuum cleaner to remove dust.



**⚠** Do not damage the fan impellers or temperature sensor.

**👉** If the preheater element filter also need maintenance do not re-install the heat exchanger yet.

8. If no more maintenance is necessary install all parts in reverse order, reconnect the power and carry out the self-test in accordance with menu P76.

**⚠** Fasten the screws to a maximum of 1.5 Nm. This is roughly equal to setting 2 of an average battery-powered drill.

## 2.9.3 Inspecting and cleaning the preheater element filter

**👉** Clean the filter of the Preheater (if fitted) once every 4 years.

1. Remove the heat exchanger as instructed in the maintenance chapter of the heat exchanger.
2. Remove the screw from the electronics carriage.
3. Pull the electronics carriage carefully forwards.
4. Release the connectors (J) and the earth wire on the control circuit board panel and fully remove the cables including the two grommets (K).
5. Remove the cable (P) from the control circuit board panel.
6. Remove the Pre-heater holder by sliding it up halfway and then pulling it away from the valve.
7. Remove the Pre-heater filter located behind the Pre-heater holder.
8. Inspecting and if necessary clean the preheater element filter.
  - Clean the filter with a brush.
  - Remove any deposit using a damp cloth.
9. Install all parts in reverse order.
10. Reconnect the power to the ComfoAir.

**👉** The hollow side of the Pre-heater filter must face the Pre-heater holder.

**⚠** Fasten the screws to a maximum of 1.5 Nm. This is roughly equal to setting 2 of an average battery-powered drill.

11. Carry out the self-test in accordance with menu P76.

## 2.10 Malfunctions

Malfunctions in the ComfoAir are reported as follows:

- The malfunction alert appears on the Comfo-Sense panel;
- The malfunction alert appears on the CC Luxe panel;
- The malfunction indicator on the 3-position switch lights up;

Malfunction alerts may not appear on the digital operating device in all cases, even though there is a malfunction (or problem). A concise explanation of both types of malfunction (or problem) is given in the paragraphs below.

## 2.10.1 Malfunction alerts on the digital operating device

In the event of a malfunction, the corresponding malfunction code will be displayed on the digital operating device of the ComfoAir.

Below is a list of the malfunction alerts on the digital operating device.

In the chapter about trouble shooting is explained how to solve these malfunctions

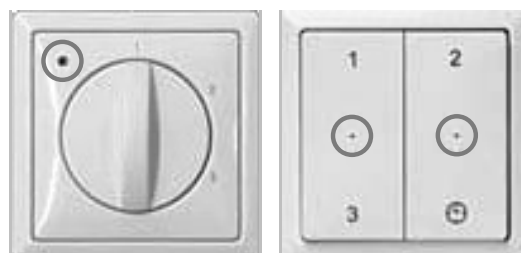
Code	Description
A0	NTC sensor TGe is defective. (= geothermal heat exchanger temperature)
A1	NTC sensor T1 is defective. (= outside air temperature)
A2	NTC sensor T2 is defective. (= supply air temperature)
A3	NTC sensor T3 is defective. (=return air temperature)
A4	NTC sensor T4 is defective. (= exhaust air temperature)
A5	Malfunction in the bypass motor.
A6	Malfunction in the Preheater element motor.
A7	Preheater element does not heat sufficiently.
A8	Preheater element becomes too hot
A10	NTC sensor Tch is defective. (= extractor hood temperature)
A11	NTC sensor Tah is defective. (= afterheater temperature)
E1	Exhaust fan not rotating.
E2	Supply fan not rotating.
E3	Temperature sensor extractor hood too high.
E4	ComfoAir has been switched off by external contact.
EA1	Enthalpy sensor measures excessive Relative Humidity (RH) values.
EA2	No communication between the enthalpy sensor and the ComfoAir.
E15	No communication between the CC Luxe panel and the ComfoAir.
E16	No communication between the ComfoCool and the CC Luxe panel.
COMM ERROR	No communication between the ComfoSense panel and the ComfoAir.
FLTR	Internal Filter is dirty.
FLTR EXT	External Filter is dirty.

## 2.10.2 3-position switch with malfunction indicators

The 3-position switches that are fitted with a malfunction indicator show when a malfunction or filter dirty has occurred. Depending on the type of the 3-position switch, this is done in one of the following two ways:

- 3-position switch with malfunction indicator. In the event of a malfunction or filter dirty alert the indicator lights up;
- Wireless 3-position switch with malfunction indicator.

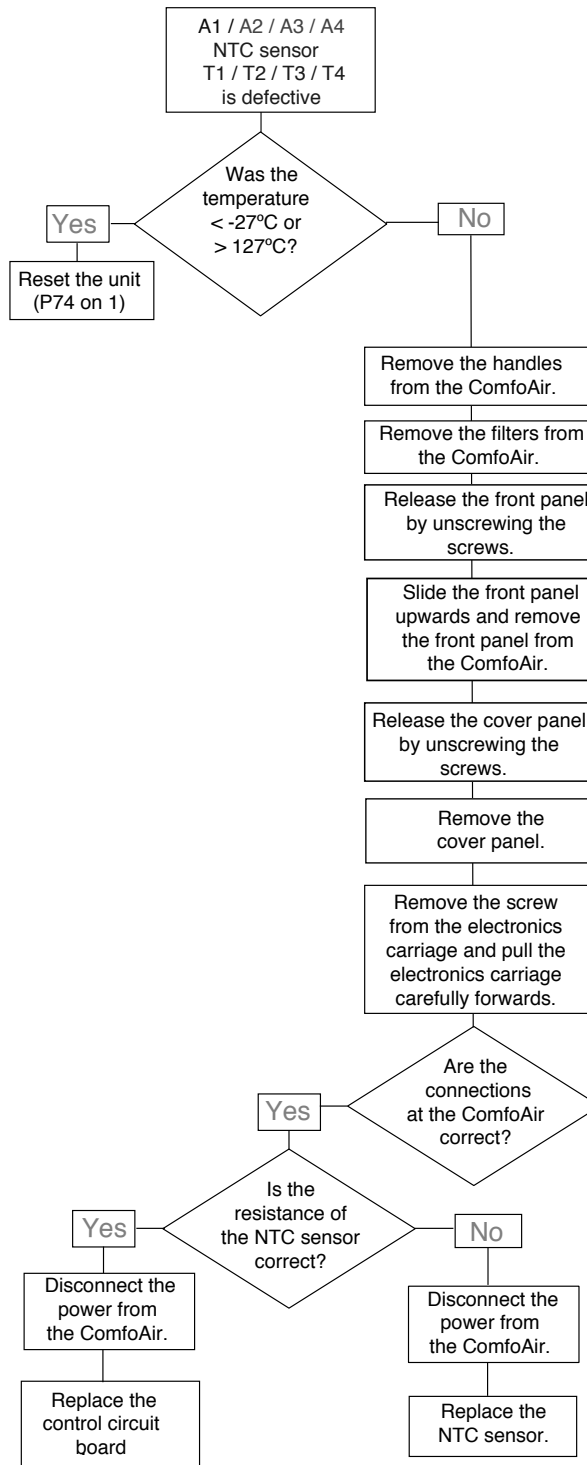
The malfunction indicators will light up once this 3-position switch is used. One indicator will light up green to indicate communication has been established. Subsequently, in the event of a malfunction or filter dirty alert both indicators will flash red 3 times. After that, both indicators will light up green once more.






### 2.10.3 What to do in the event of a malfunction / Trouble shooting

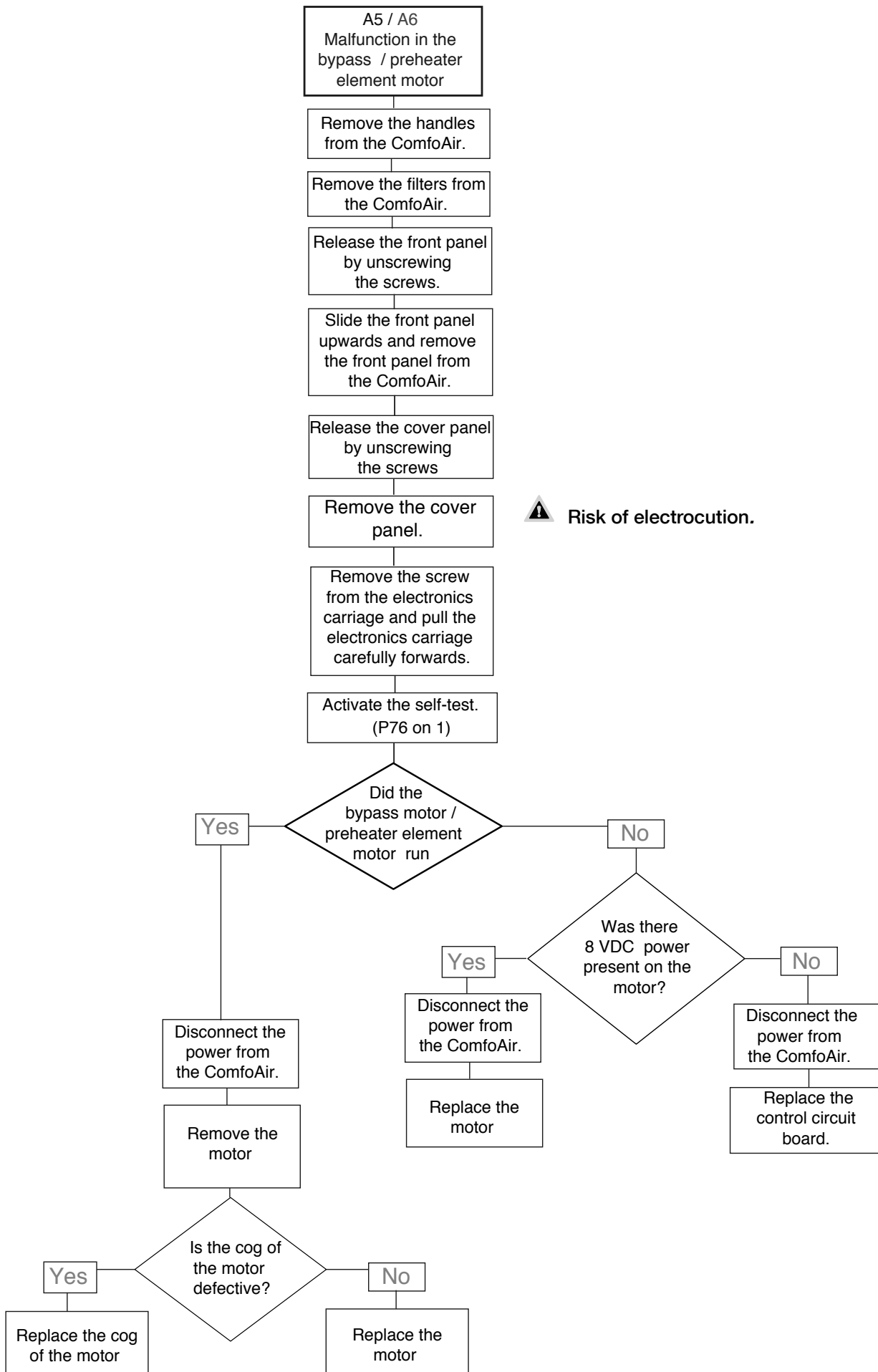
Below are a number of trouble-shooting tips for the malfunction alerts described previously which can appear on the digital operating device in the event of a malfunction.




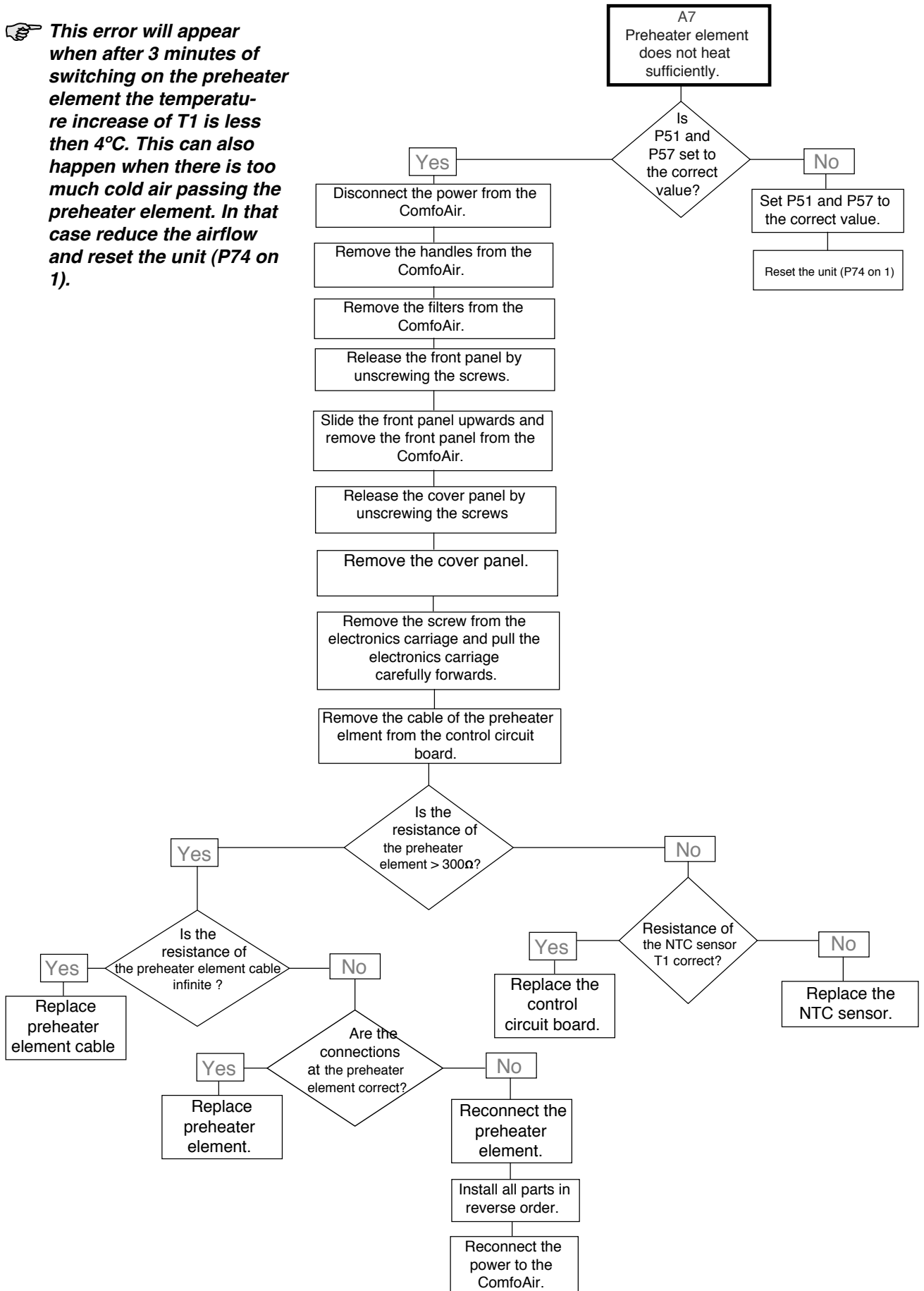
Resistance tabel for (NTC) temperature sensors:

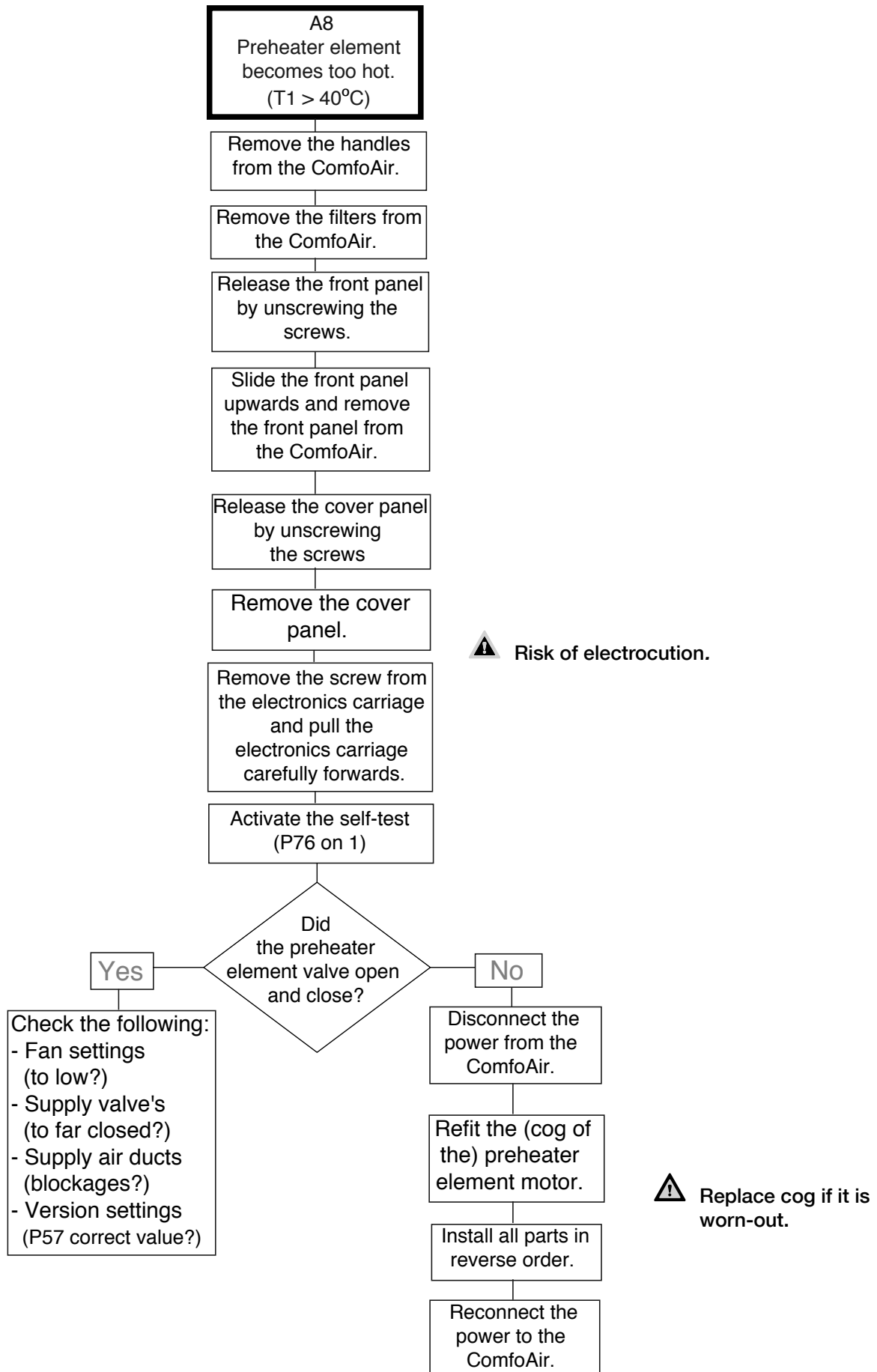
Temperature [°C]	Resistance [KΩ]		
	MIN.	MID.	MAX.
10	19,570	19,904	20,242
15	15,485	15,712	15,941
18	13,502	13,681	13,861
19	12,906	13,071	13,237
20	12,339	12,491	12,644
21	11,801	11,941	12,082
22	11,291	11,420	11,550
25	9,900	10,000	10,100
30	7,959	8,057	8,155

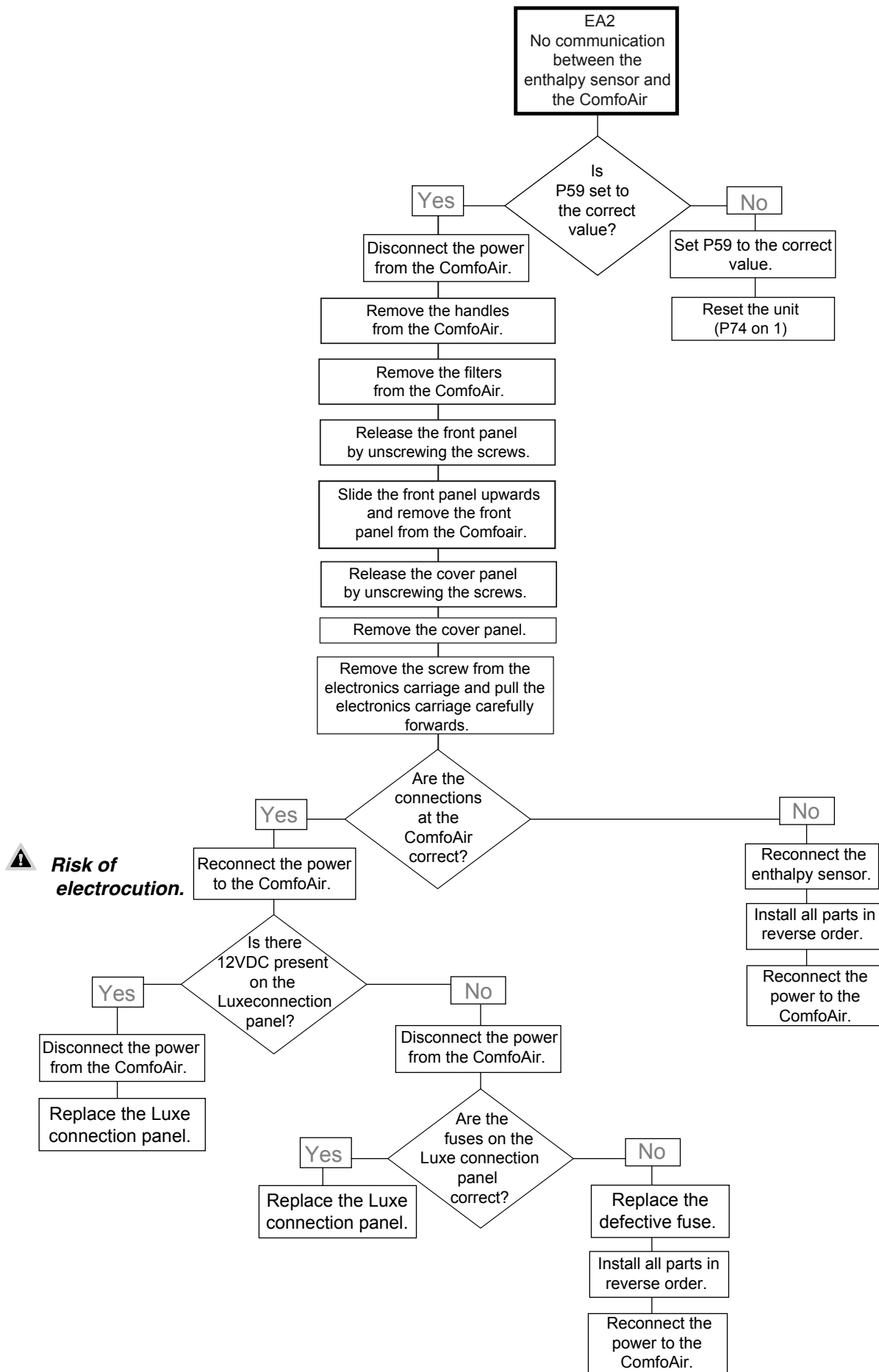
 Risk of electrocution.



 **This error will appear when after 3 minutes of switching on the preheater element the temperature increase of T1 is less than 4°C. This can also happen when there is too much cold air passing the preheater element. In that case reduce the airflow and reset the unit (P74 on 1).**







**E1 / E2**  
Supply fan / Exhaust fan not rotating

Remove the handles from the ComfoAir.

Remove the filters from the ComfoAir.


Release the front panel by unscrewing the screws.

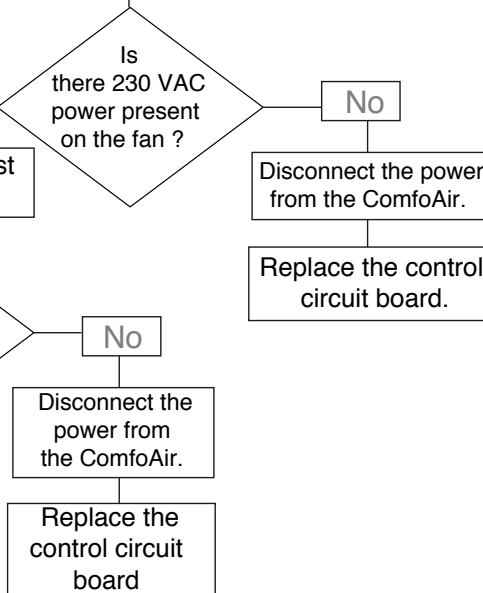
Slide the front panel upwards and remove the front panel from the ComfoAir.

Release the cover panel by unscrewing the screws.

Remove the cover panel.

Remove the screw from the electronics carriage and pull the electronics carriage carefully forwards.

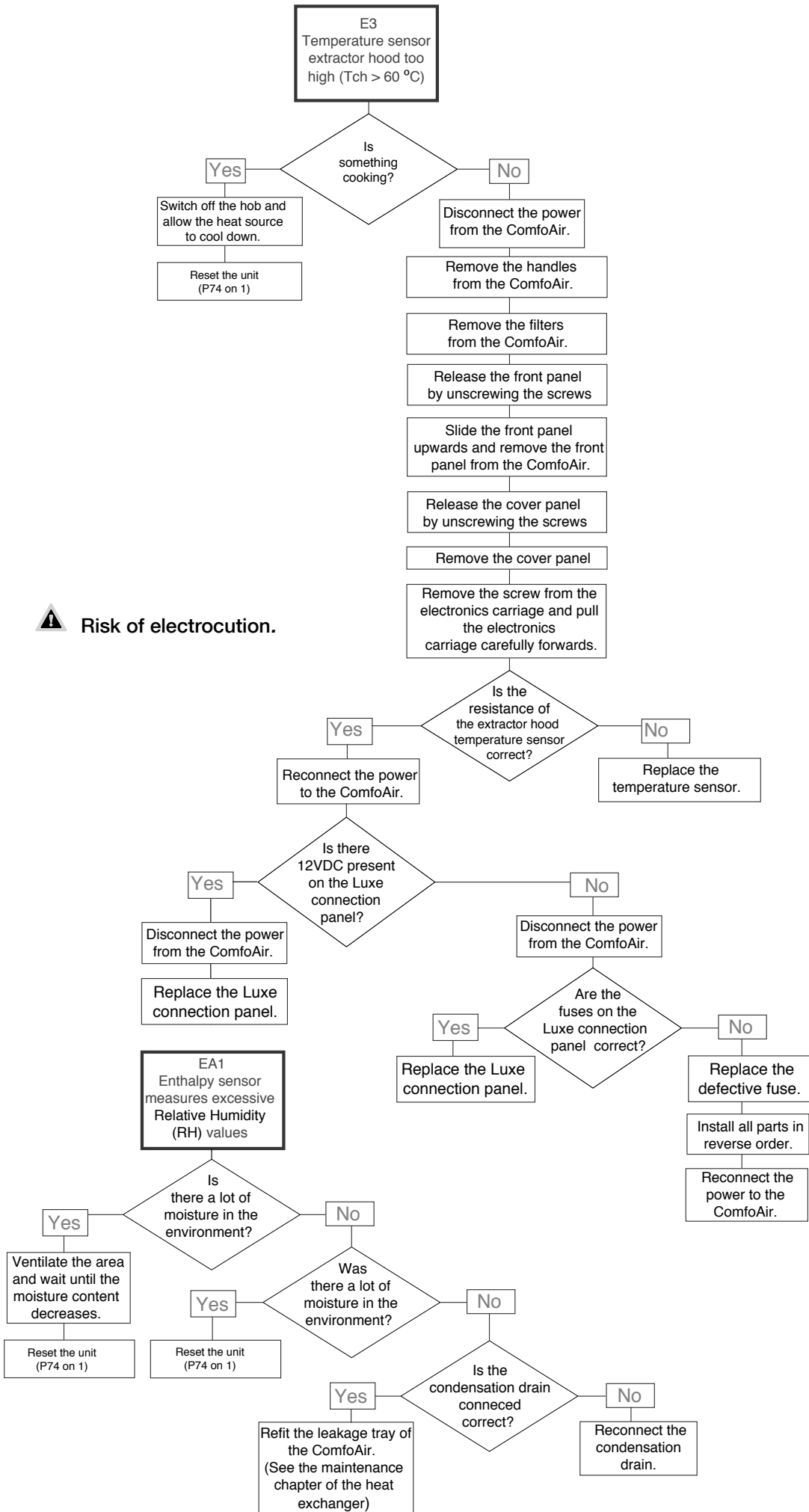
 Risk of electrocution.

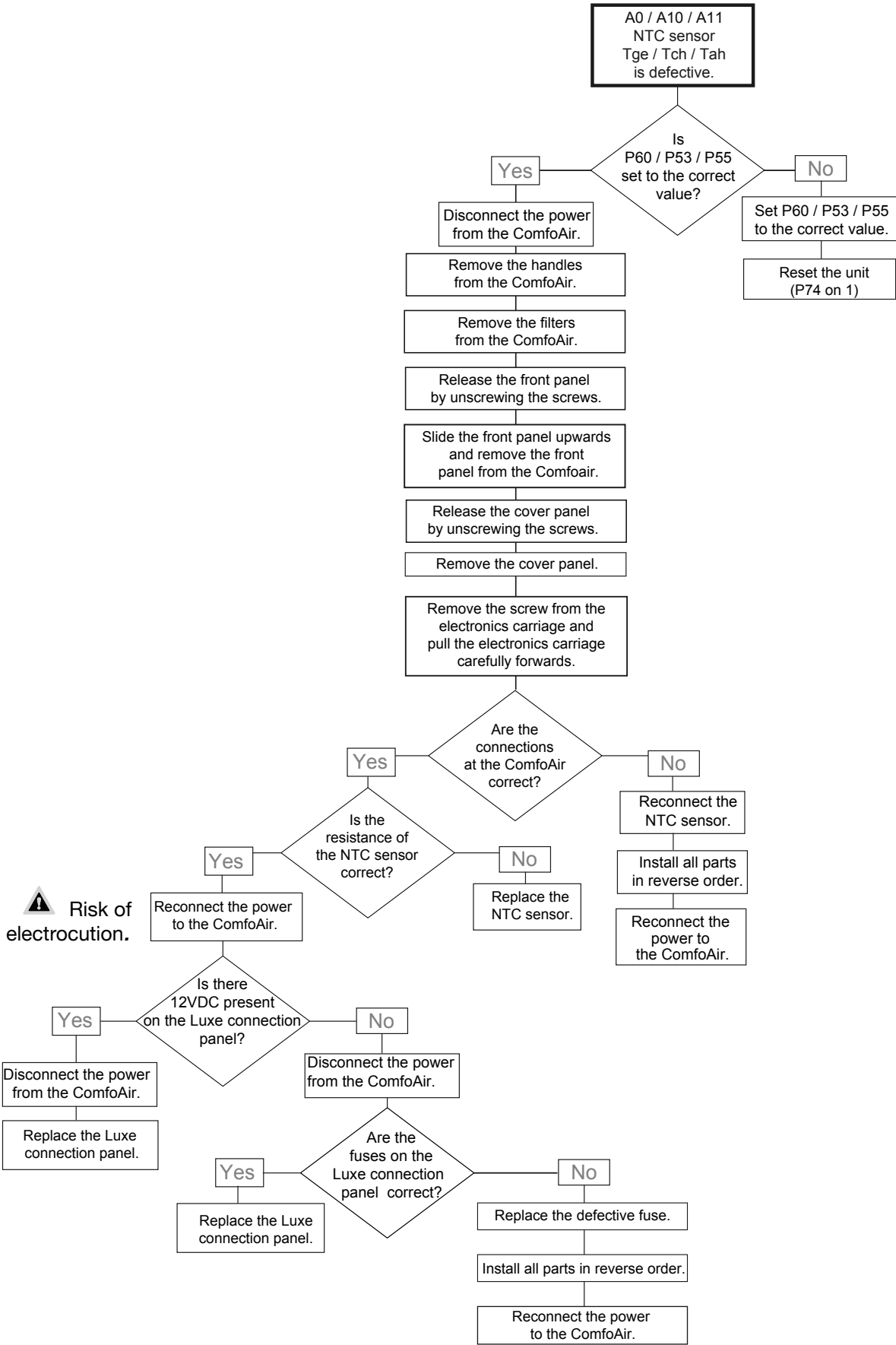


**E4**  
ComfoAir has been switched off by external contact

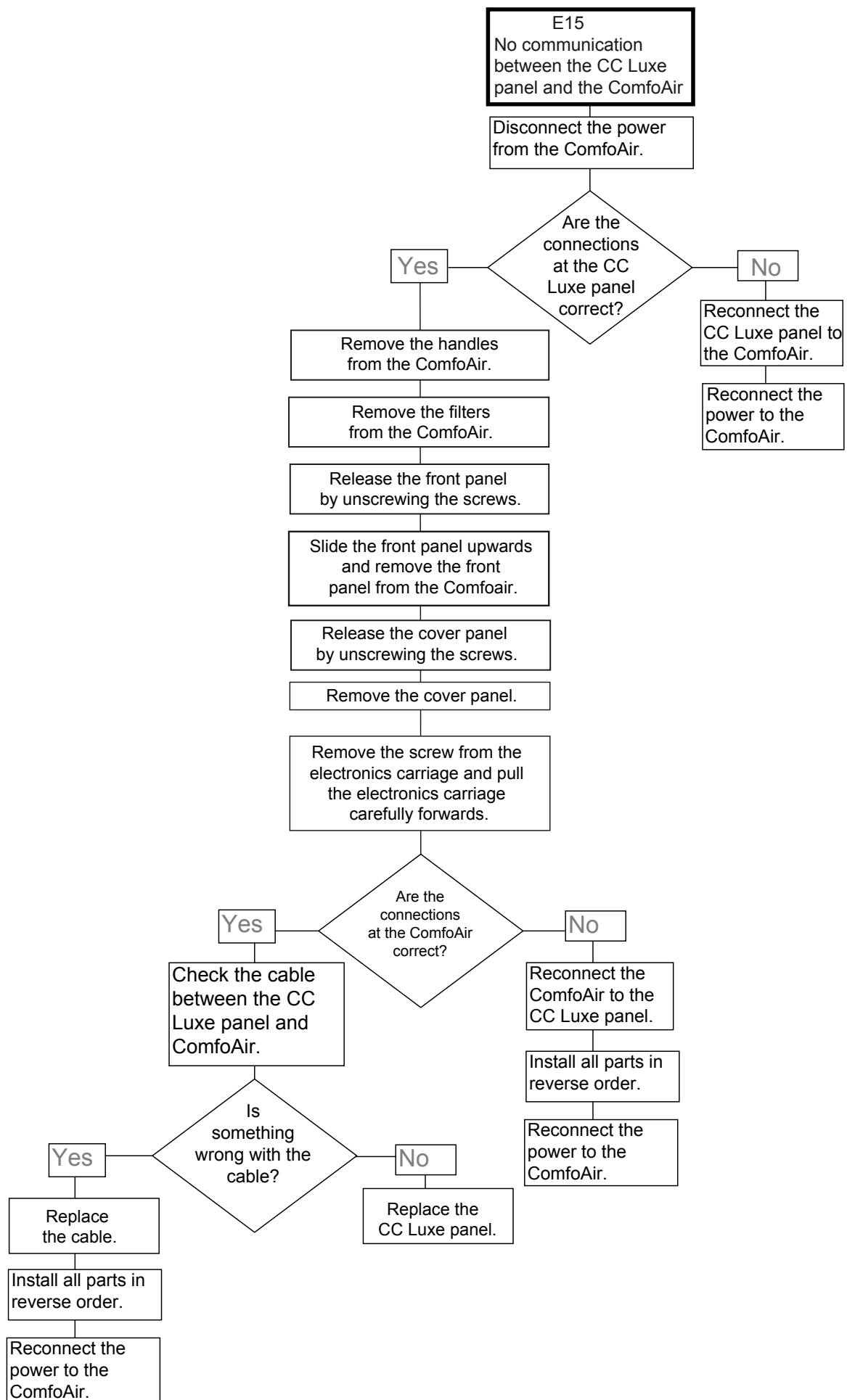
Cause depends on what equipment is interfaced with the ComfoAir. Check the relevant device

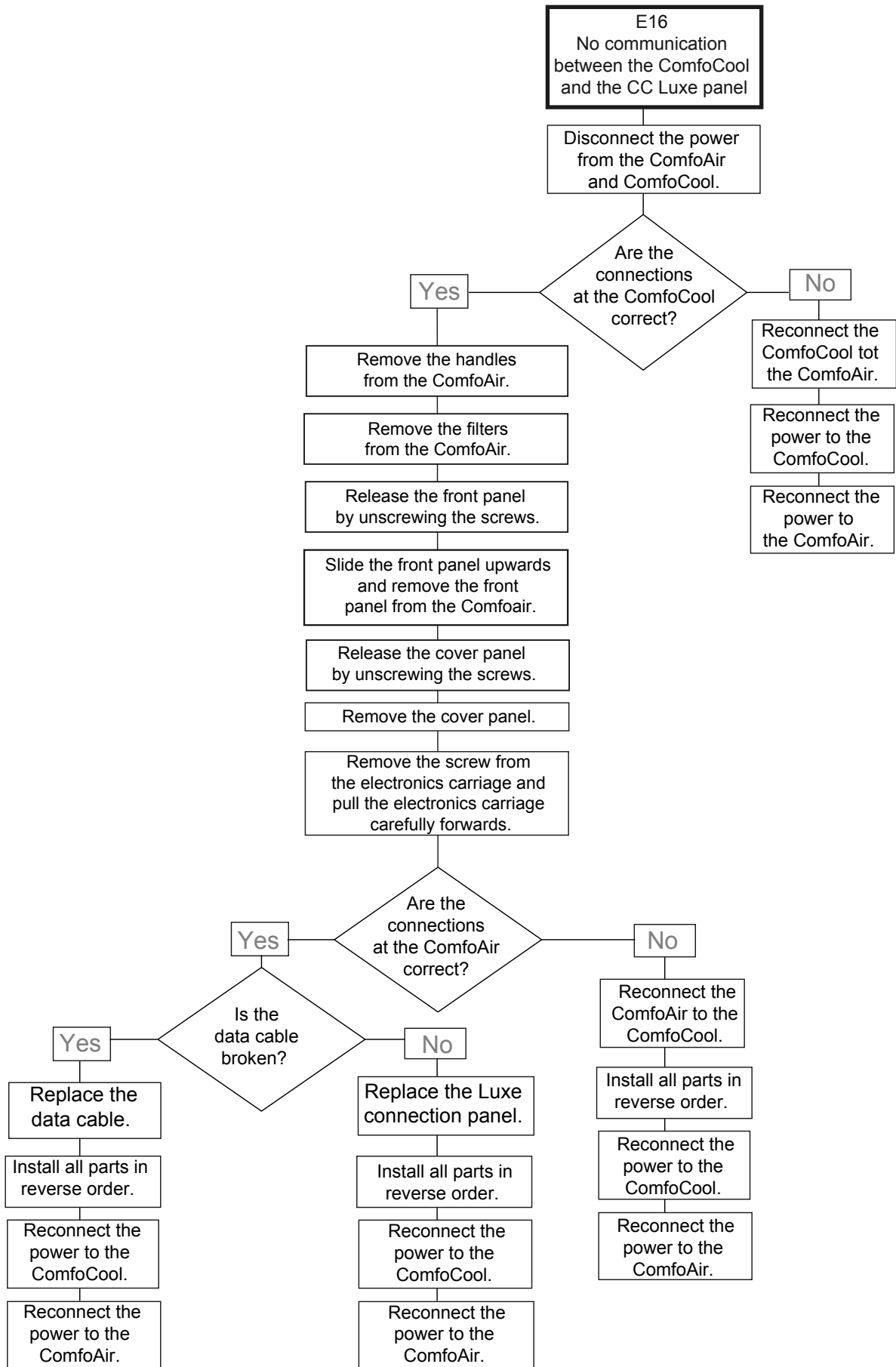
 Risk of electrocution.

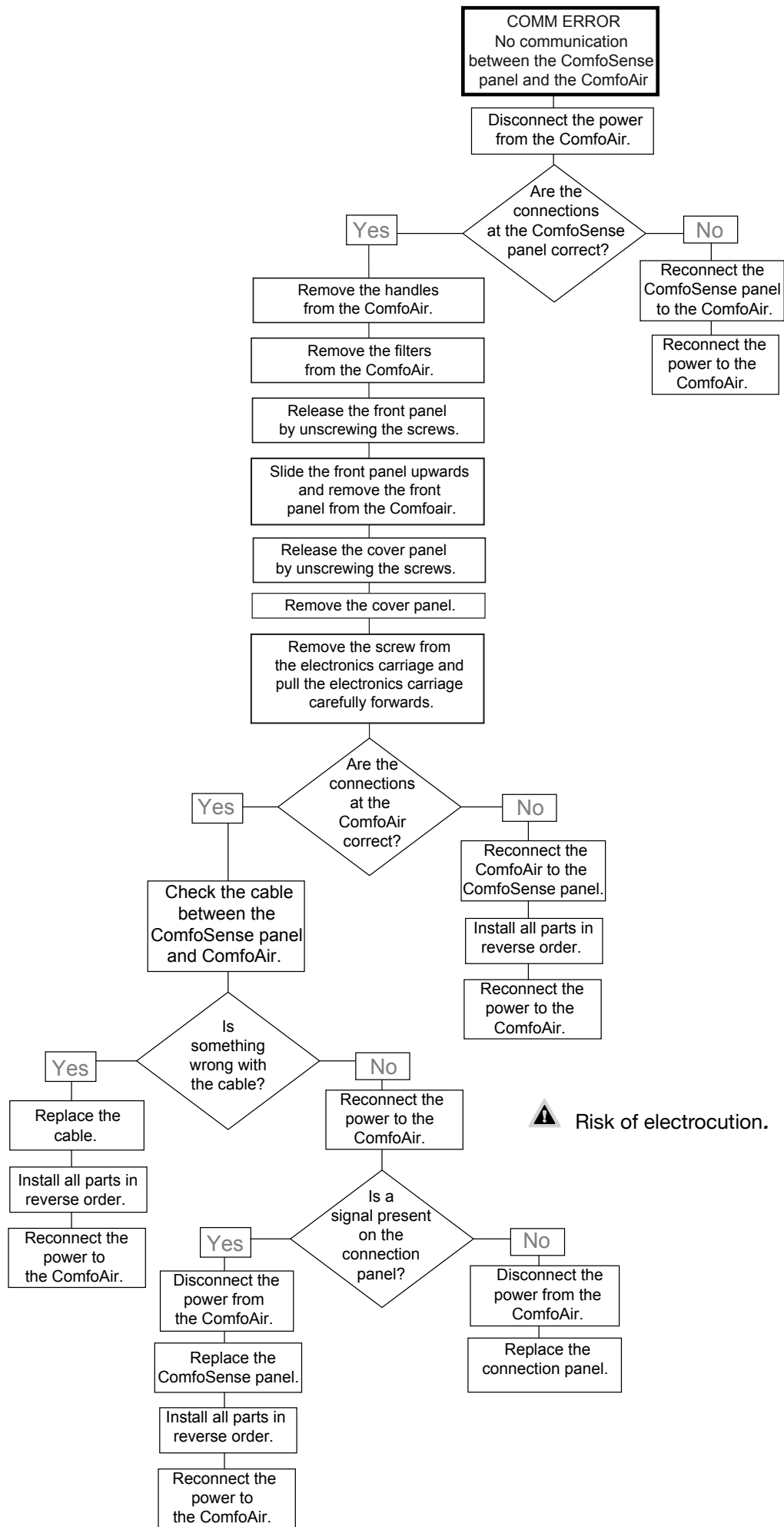












**FLTR**  
**Internal Filter is dirty**

**Press OK on the ComfoSense panel 2x to reset the FLTR warning.**

**Disconnect the power from the ComfoAir.**

**Remove the handles from the ComfoAir.**

**Remove the dirty filters from the ComfoAir.**

**Slide the clean (new) filters back into the ComfoAir.**  
**Cleaning: Vacuum the filters with a vacuum cleaner.**

**Refit the handles to the ComfoAir.**

**Reconnect the power to the ComfoAir.**

**FLTR EXT**  
**External Filter is dirty**

**Clean or replace the External filter according to its own instruction.**

## 2.10.4 Malfunctions (or problems) without alerts

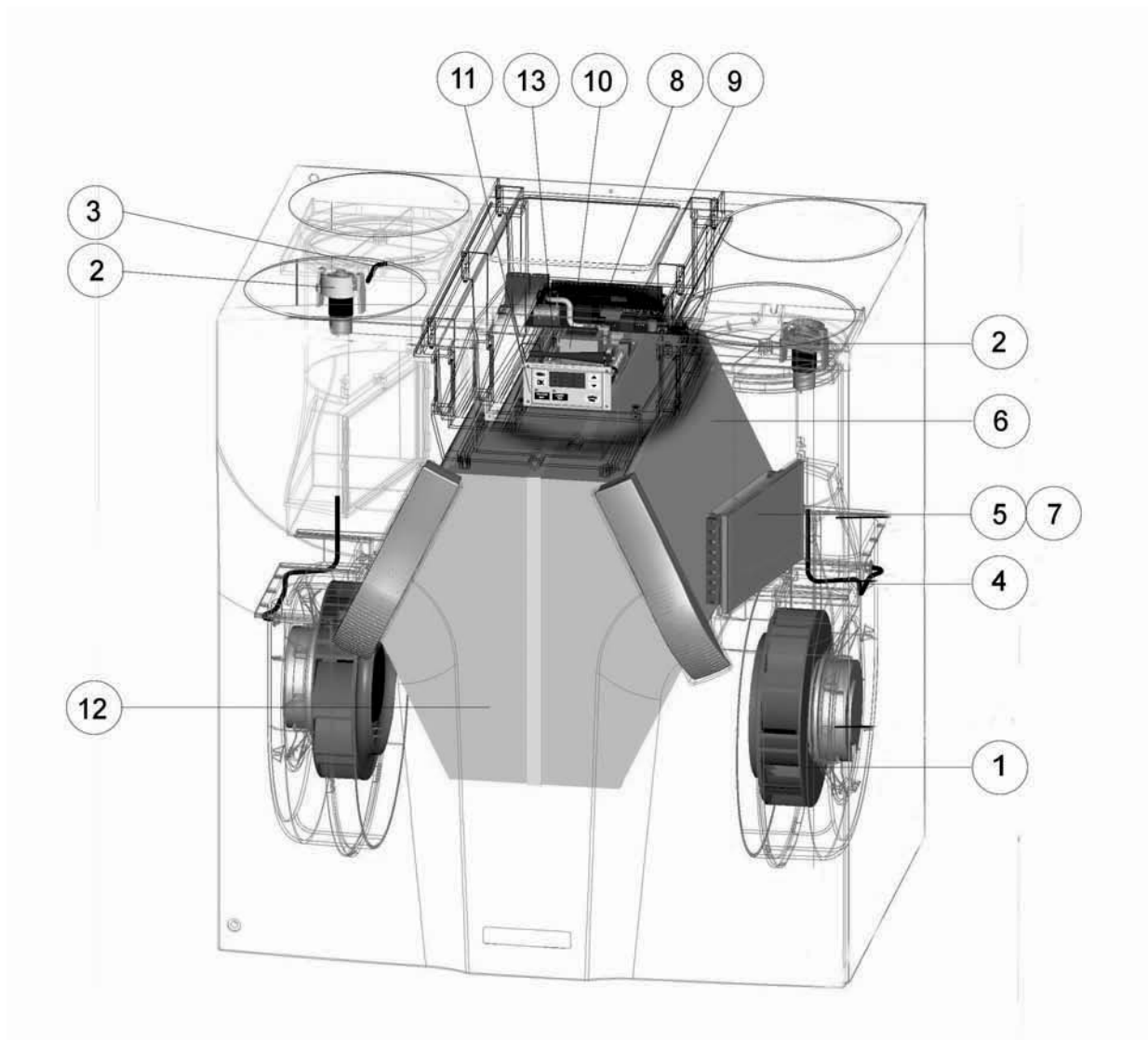
An overview of the malfunctions (or problems) without notifications is given below.

Problem/Malfunction	Indication	Check / action
System switched off	Power supply on	<b>Check the fuse on the control circuit board.</b> <ul style="list-style-type: none"> <li>• If the fuse is Defect, replace fuse.</li> <li>• If the fuse is OK, the control circuit board is defective and must be replaced.</li> </ul>
	No power supply	Mains power is off.
High intake temperature in summer	Bypass remains closed	Reduce the comfort temperature.
	ComfoAir is still in Winter mode: Bypass remains closed	Checking the Mode of the ComfoAir is possible with special read-out software. <ul style="list-style-type: none"> <li>• Wait until ComfoAir switches to Summer mode.</li> </ul>
Low intake temperature in winter	Bypass stays open	Increase the comfort temperature.
Little or no air supply; shower remains damp	Filters blocked	Replace the filters.
	Valves blocked	Clean the valves.
	Exchanger clogged by dirt.	Clean the exchanger.
	Exchanger frozen	Defrost the exchanger.
	Fan dirty	Clean the fan.
	Ventilation ducts blocked	Clean the ventilation ducts.
	ComfoAir is in frost-protection operation	Wait until the weather warms up.
Too noisy	Fan bearings defective	Replace the fan (bearings).
	Fan settings to high	Change the fan (settings).
	Slurping noise <ul style="list-style-type: none"> <li>• Siphon is empty</li> <li>• Siphon does not seal properly</li> </ul>	Reconnect the siphon.
	Whistling noise <ul style="list-style-type: none"> <li>• An air gap somewhere</li> </ul>	Seal the air gap.
	Airflow noise <ul style="list-style-type: none"> <li>• Valves do not close onto duct.</li> <li>• Valves not open far enough</li> </ul>	Reinstall the valves. Reset the valves.
Condensation leak	Condensation drain clogged	Unblock the condensation drain.
	Condensation from exhaust duct does not run into leakage tray	Check whether the connections are correct.
Corded 3-position switch not working	Cabling is not correct	<b>Check the wire-circuit of the 3-position switch by measuring the voltage:</b> <ul style="list-style-type: none"> <li>• Voltage only on N &amp; L3: [Fans rotate in position 1].</li> <li>• Voltage only on N &amp; L3 &amp; L2: [Fans rotate in position 2].</li> <li>• Voltage only on N &amp; L3 &amp; L1 or N &amp; L3 &amp; L2 &amp; L1: [Fans rotate in position 3].</li> </ul>
	Switch is defective	
Wireless 3-position switch not working	Battery is discharged	<b>Check the battery.</b> <ul style="list-style-type: none"> <li>• Replace the battery (if necessary).</li> </ul>
	Switch is not correctly tuned.	Remove the power shortly from the ComfoAir. Shortly after reconnecting the power tune the switch again.

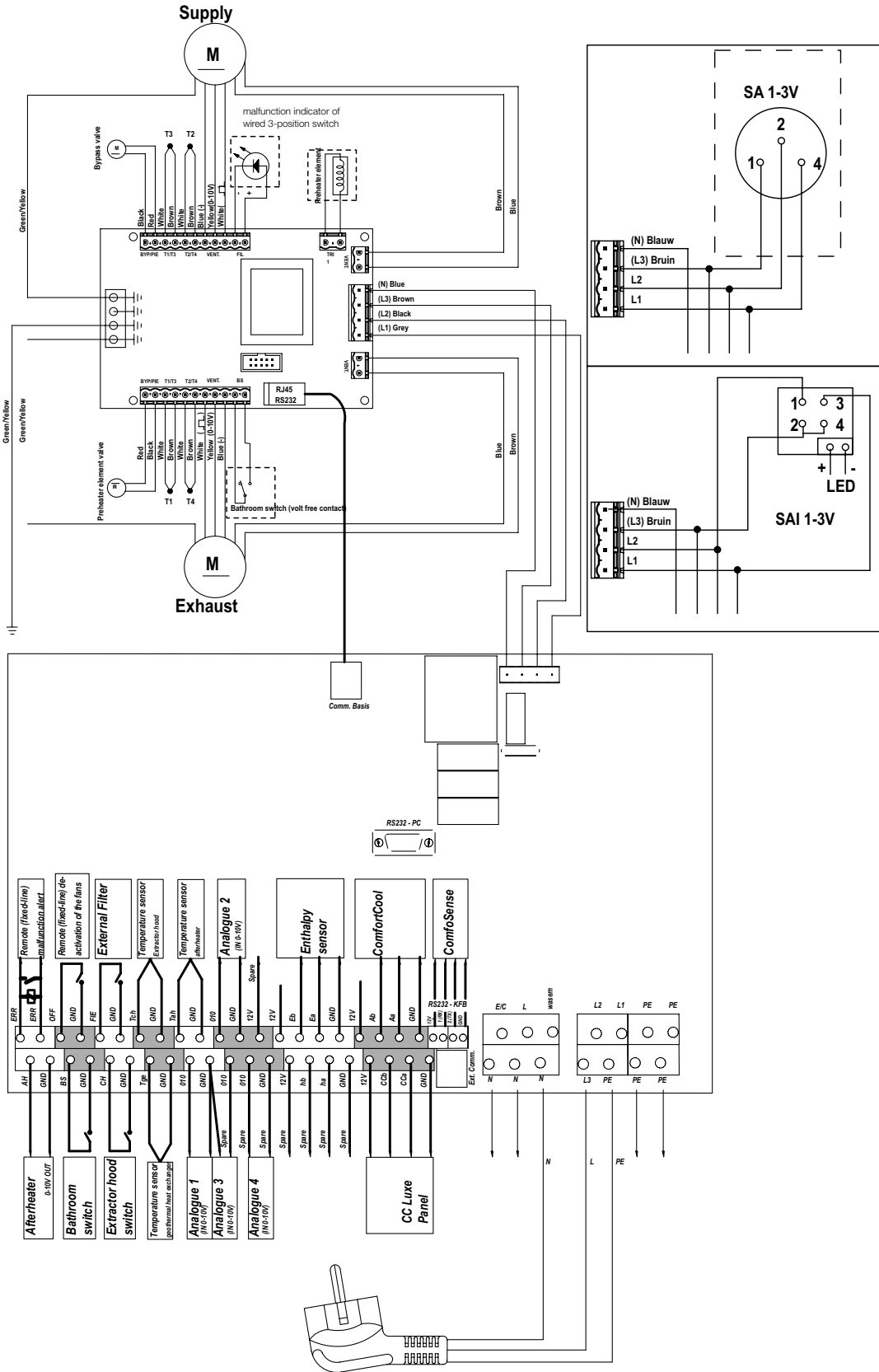
## 2.11 Service parts

The following table contains an overview of the spare parts available for the ComfoAir.

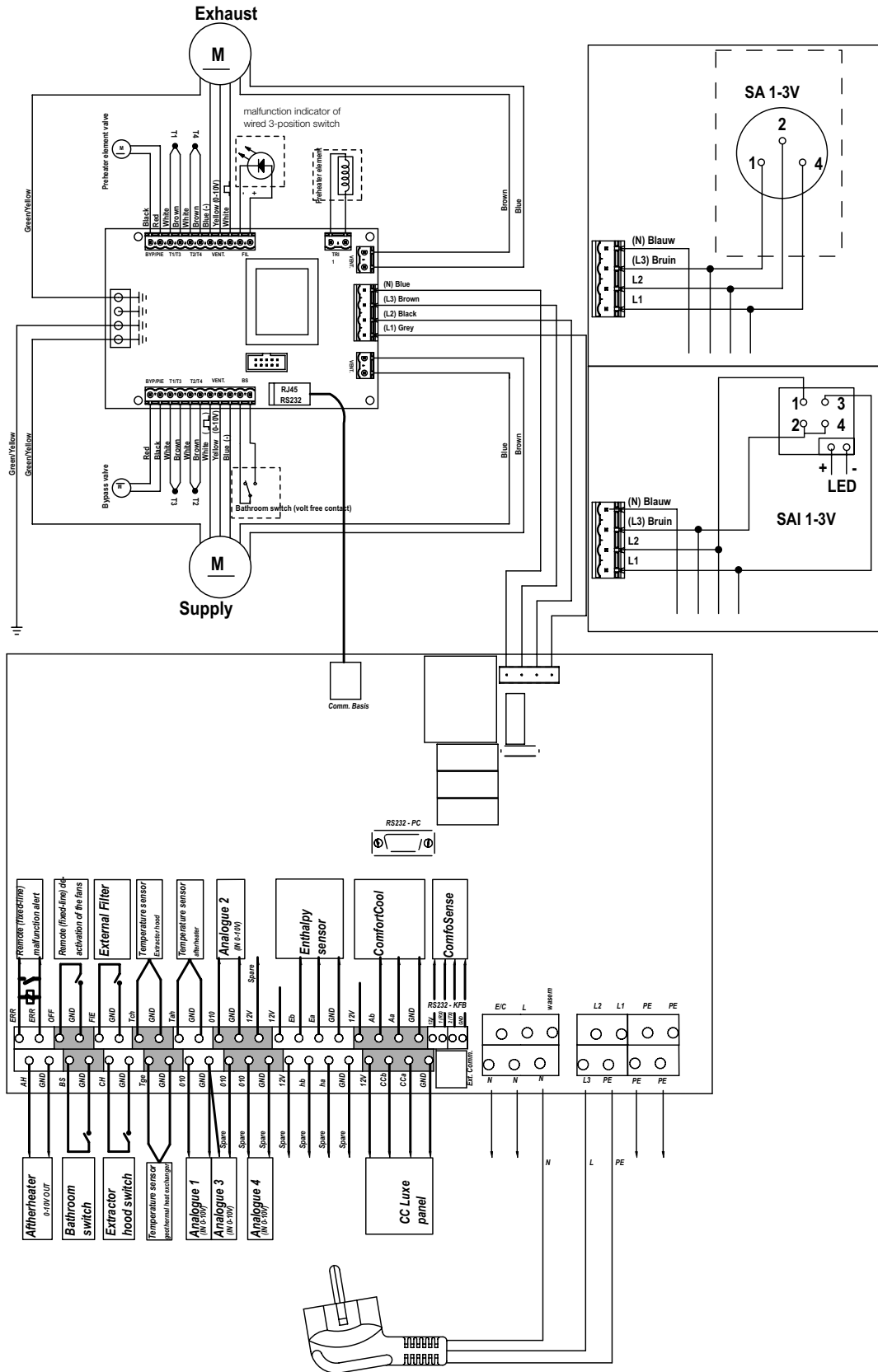
Number	Part	Art.nr.
1	Fans (left and right)	400200015
2	Servo motor & cable (for the bypass and the pre-heater)	400300024
3	Temperature sensor T1 / T3 (in top of unit; near the electronic carriage)	400300025
4	Temperature sensor T2 / T4 (in scroll casing of both fans)	400300026
5	Forst-free element	400300027
6	Filter (2x)	400100030
7	Filter Forst-free element	400100011
8	Connector panel in ComfoAir;	400300053
9	RF control print (RF module)	400500010
10	ComfoAir control PCB	400300053
12	Heat exchanger	400400011
13	RFZ Remote control transmitter	400300033



## 2.12 Wiring diagram: ComfoAir 550 Luxe – LEFT-HAND version



## 2.13 Wiring diagram: ComfoAir 550 Luxe – RIGHT-HAND version





## 2.14 EEC declaration of conformity

Zehnder Group Nederland B.V.  
Lingenstraat 2  
8028 PM Zwolle-NL  
Tel.: +31 (0)38-4296911  
Fax: +31 (0)38-4225694  
Company register Zwolle 05022293

### EEC declaration of conformity

**Machine description** : Heat recovery units: ComfoAir 550 series

**Complies with the following directives** : Machinery Directive (2006/42/EEC)  
Low Voltage Directive (2006/95/EEC)  
EMC Directive (2004/108/EEC)

Zwolle, 19 March 2010  
Zehnder Group Nederland B.V.

A handwritten signature in black ink, consisting of a series of loops and a long horizontal stroke ending in an arrowhead.

E. van Heuveln,  
Managing Director





**zehnder**

**Zehnder Group Nederland B.V.**  
Lingenstraat 2  
8028 PM Zwolle  
Nederland  
Tel.: (038) 429 69 11  
Fax.: (038) 422 56 94  
Internet: [www.jestorkair.nl](http://www.jestorkair.nl)  
E-mail: [info@jestorkair.nl](mailto:info@jestorkair.nl)